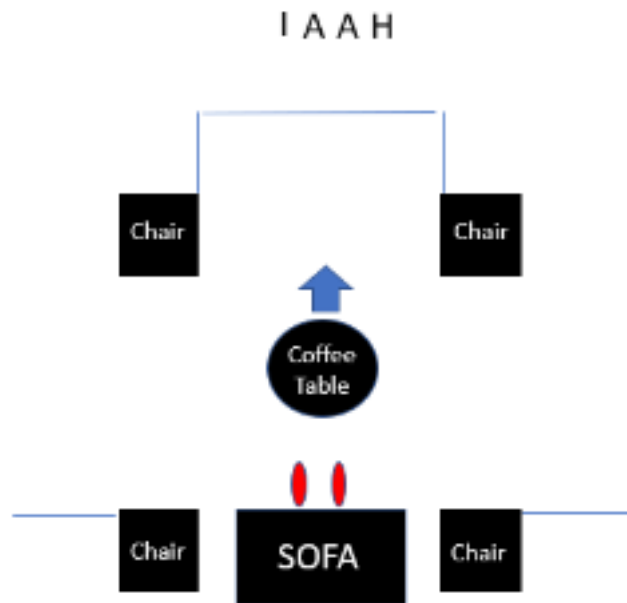


1. Getting Started

Stage 1 – Getting started

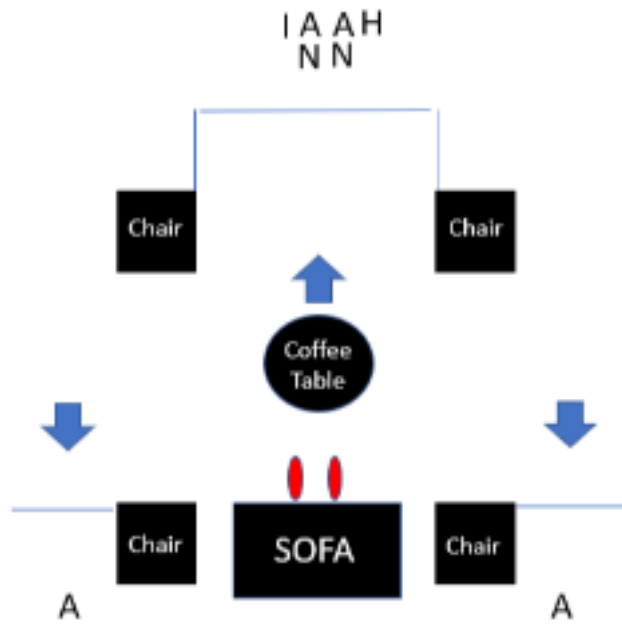


CoF	Comstock - Short	Points	40 p
Targets	4 paper, Total 4 targets	Min rounds	8
Firearm	Action Air	Match-%	7.84%

Procedure	Seated on sofa, strong hand on knee, weak hand holding mobile phone to ear. Shoot targets whilst remaining seated, strong hand unsupported only.
Starting position	Gun loaded & holstered
Firearm ready condition	Loaded.
Start on	Audible signal
Stop on	Last shot
Penalties	As per current edition of rules
Safety angles	L/R
Setup notes	

2. They're Behind You

Stage 2 – They're Behind You!

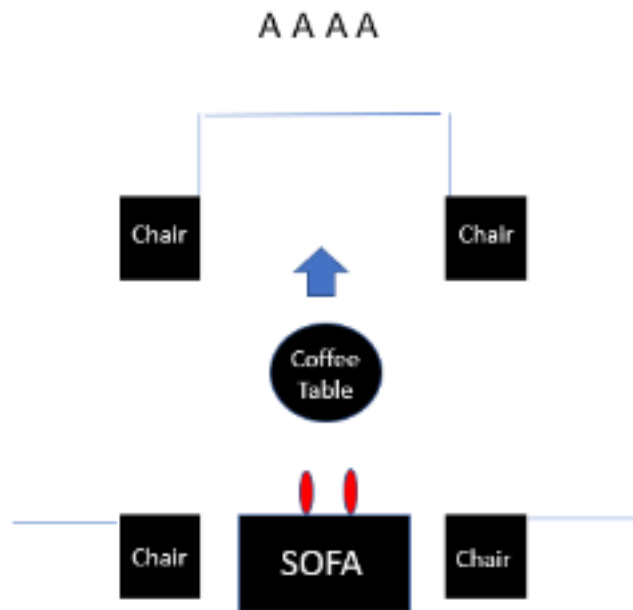


CoF	Comstock - Short	Points	60 p
Targets	6 paper, 2 no-shoot, Total 6 targets	Min rounds	12
Firearm	Action Air	Match-%	11.76%

Procedure	Standing facing sofa. Gun loaded in holster. Shoot targets as they become visible.
Starting position	Gun loaded & holstered
Firearm ready condition	Loaded
Start on	Audible signal
Stop on	Last shot
Penalties	As per current edition of rules
Safety angles	Full 360 degrees.
Setup notes	

3. Easy Peesy Lemon Squeezy

Stage 3 – Easy Peesy Lemon Squeezy

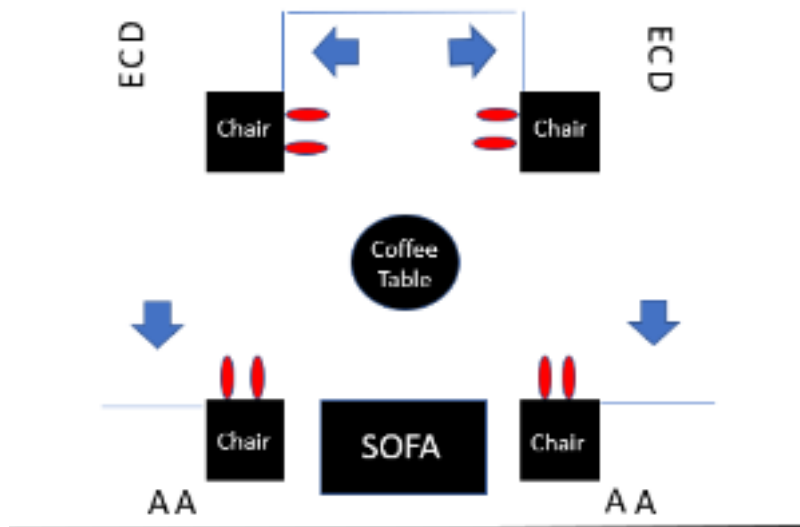


CoF	Comstock - Short	Points	40 p
Targets	4 paper, Total 4 targets	Min rounds	8
Firearm	Action Air	Match-%	7.84%

Procedure	Seated on sofa, holding tv remote in strong hand at shoulder height, weak hand on weak knee. Loaded gun on sofa on your weak side. On audible start signal, engage targets as they become visible, weak hand only unsupported, whilst remaining seated on sofa.
Starting position	Gun loaded & placed on sofa on weak side.
Firearm ready condition	Loaded
Start on	Audible signal
Stop on	Last shot
Penalties	As per current edition of rules
Safety angles	90/90/90
Setup notes	

4. Too Many Options

Stage 4 – Too many options!

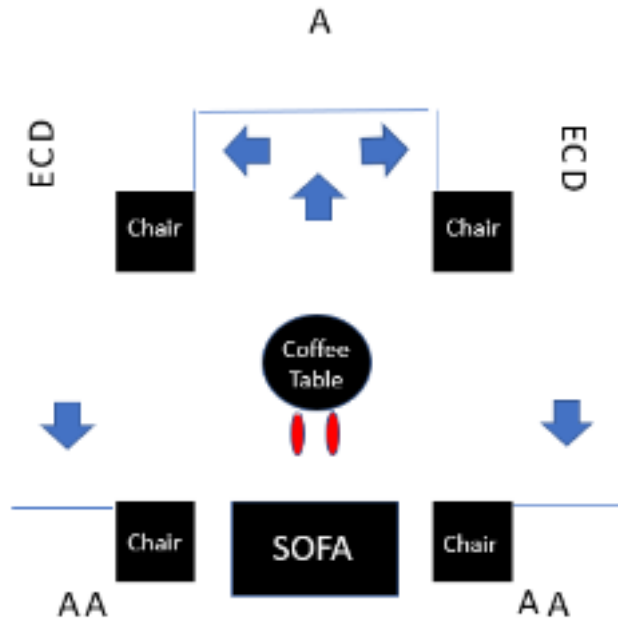


CoF	Comstock - Medium	Points	100 p
Targets	10 paper, Total 10 targets	Min rounds	20
Firearm	Action Air	Match-%	19.61%

Procedure	Standing upright facing any of the chairs, (your choice) gun loaded in holster. On audible start signal shoot targets as they become visible.
Starting position	Gun loaded & holstered
Firearm ready condition	Loaded
Start on	Audible signal
Stop on	Last shot
Penalties	As per current edition of rules
Safety angles	360 degrees
Setup notes	

5. Run Around

Stage 5 – Run Around

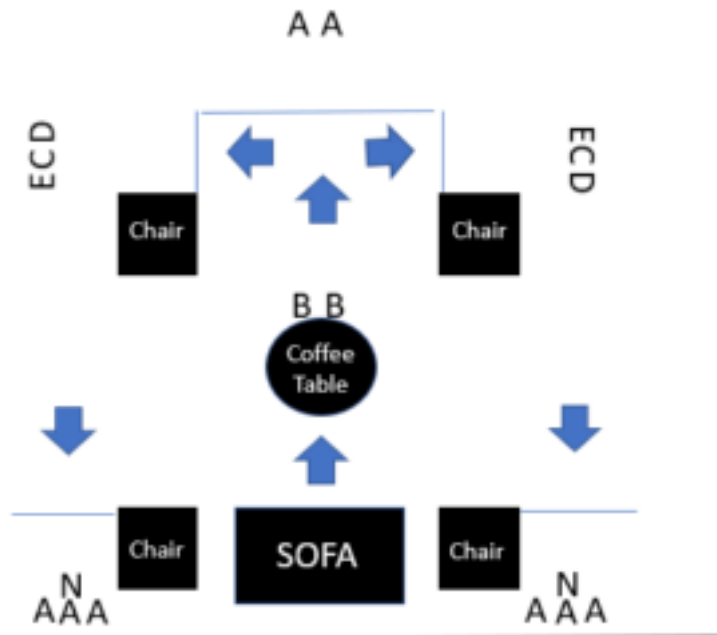


CoF	Comstock - Medium	Points	110 p
Targets	11 paper, Total 11 targets	Min rounds	22
Firearm	Action Air	Match-%	21.57%

Procedure	Standing upright facing coffee table, legs touching. Gun, loaded with empty chamber in holster. On audible start signal, engage targets as they become visible.
Starting position	Gun loaded & holstered
Firearm ready condition	Empty Chamber
Start on	Audible signal
Stop on	Last shot
Penalties	As per current edition of rules
Safety angles	Full 360 degrees.
Setup notes	

6. Couch Potato

Stage 6 – 360 Couch Potato



CoF	Comstock - Long	Points	160 p
Targets	16 paper, Total 16 targets	Min rounds	32
Firearm	Action Air	Match-%	31.37%

Procedure	Lying face up on sofa, hands behind head. Unloaded gun on coffee table with all magazines required for the stage. Covered by newspaper or magazine. On audible start signal engage targets as they become visible.
Starting position	Gun unloaded on coffee table with magazines.
Firearm ready condition	Unloaded
Start on	Audible signal
Stop on	Last shot
Penalties	As per current edition of rules
Safety angles	Full 360 degrees.
Setup notes	