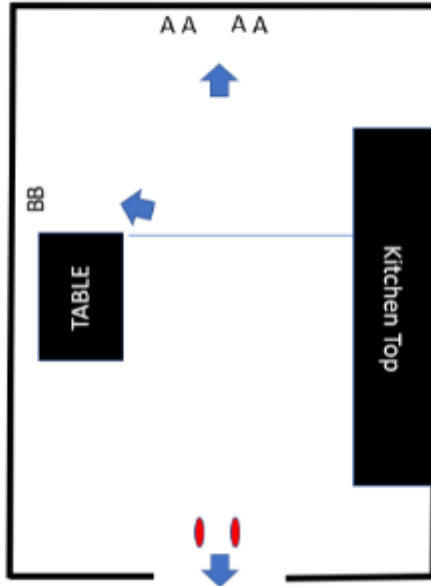


1. On the Way Out

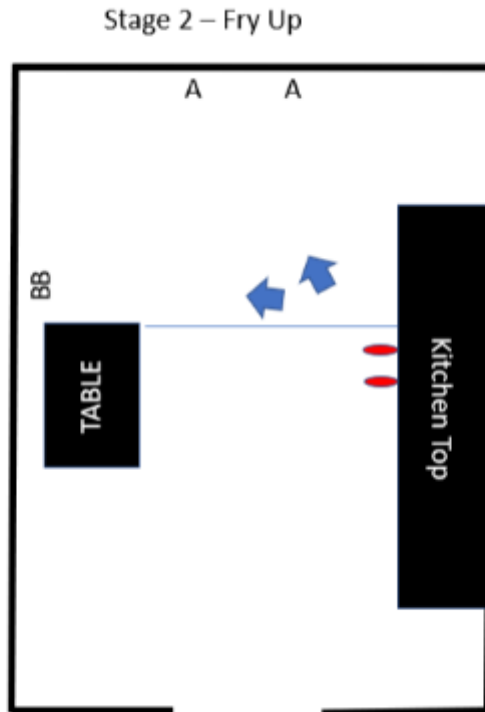
Stage 1 – On my way out



CoF	Comstock - Short	Points	60 p
Targets	6 paper, Total 6 targets	Min rounds	12
Firearm	Action Air	Match-%	11.32%

Procedure	Standing facing away from targets with hand holding door handle or touching wall at handle height. Weak hand by side. On audible start signal engage the targets as they become visible from within the demarcated area.
Starting position	Gun loaded & holstered
Firearm ready condition	Loaded
Start on	Audible signal
Stop on	Last shot
Penalties	As per current edition of rules
Safety angles	90/90/90 or local MAR
Setup notes	

2. Fry Up

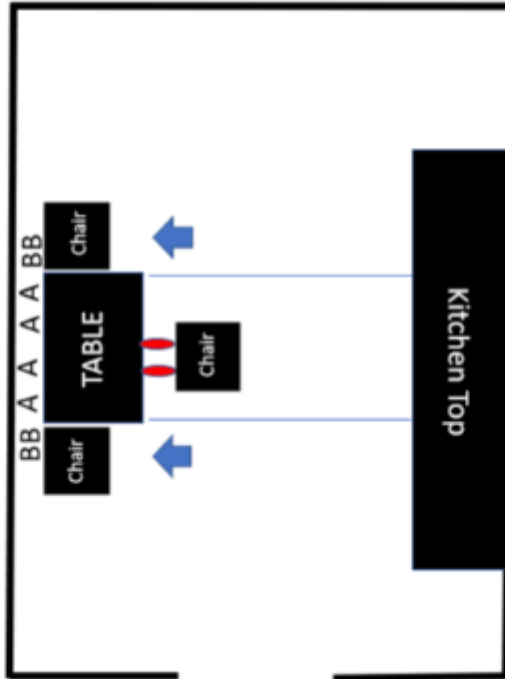


CoF	Comstock - Short	Points	40 p
Targets	4 paper, Total 4 targets	Min rounds	8
Firearm	Action Air	Match-%	7.55%

Procedure	Standing up right facing kitchen top. Frying pan gripped in weak hand with right hand holding spatula in the pan. On audible start signal, engage the targets from within the designated area. STRONG HAND ONLY and while still gripping frying pan in weak hand.
Starting position	Gun loaded & holstered
Firearm ready condition	Loaded
Start on	Audible signal
Stop on	Last shot
Penalties	As per current edition of rules
Safety angles	90/90/90 or local MAR.
Setup notes	

3. Meal for One

Stage 3 – Meal for one

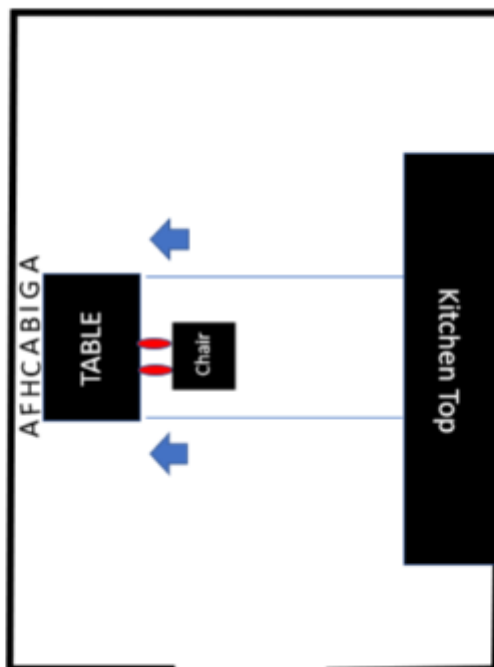


CoF	Comstock - Medium	Points	80 p
Targets	8 paper, Total 8 targets	Min rounds	16
Firearm	Action Air	Match-%	15.09%

Procedure	Seated with back against chair back. Holding knife & fork in each hand either side of dinner plate. On audible start signal shoot the targets from the designated area.
Starting position	Gun loaded & holstered
Firearm ready condition	Loaded
Start on	Audible signal
Stop on	Last shot
Penalties	As per current edition of rules
Safety angles	90/90/90 or local MAR
Setup notes	Partial targets B placed at ground level under chairs.

4. Mean Poker

Stage 4 – Mean Poker

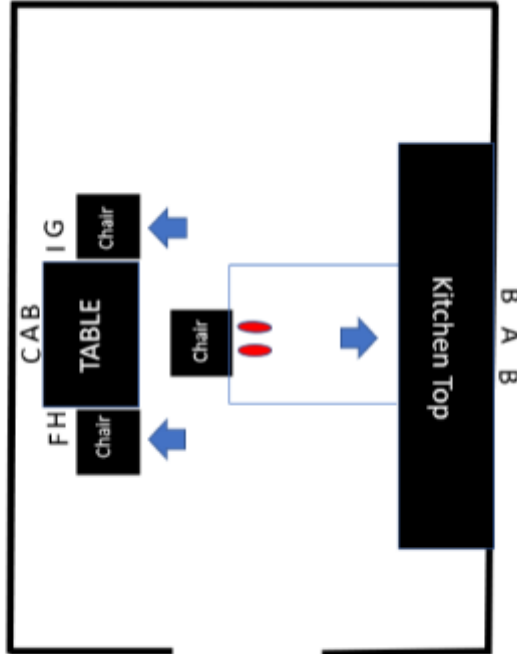


CoF	Comstock - Medium	Points	90 p
Targets	9 paper, Total 9 targets	Min rounds	18
Firearm	Action Air	Match-%	16.98%

Procedure	Seated at table with elbows on table and holding playing cards in hands . Gun flat on table and covered by a tea towel. Gun loaded with empty chamber.
Starting position	Gun On table under tea towel.
Firearm ready condition	Loaded with empty chamber.
Start on	Audible signal
Stop on	Last shot
Penalties	As per current edition of rules
Safety angles	90
Setup notes	

5. Roundabout

Stage 5 – Roundabout

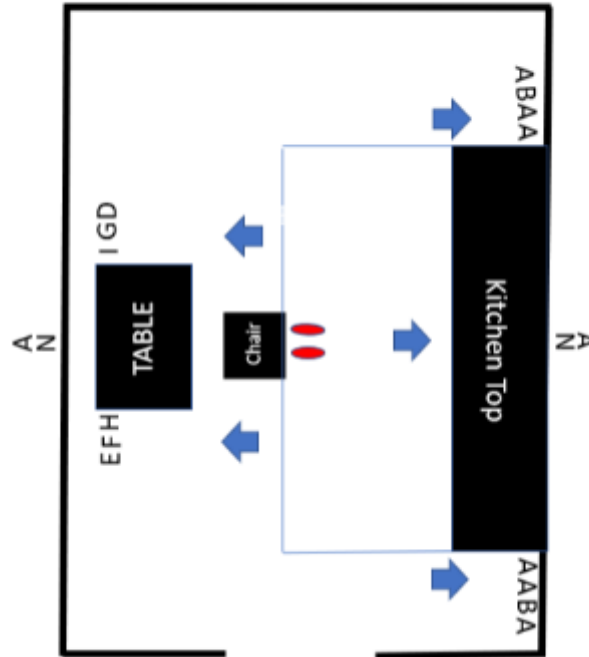


CoF	Comstock - Medium	Points	100 p
Targets	10 paper, Total 10 targets	Min rounds	20
Firearm	Action Air	Match-%	18.87%

Procedure	Standing upright facing kitchen top, back of legs touching chair. Gun loaded and placed flat on chair with muzzle facing away from you. All magazines required for the stage also on the chair. On audible start signal engage the targets as they become visible from within the demarcated area.
Starting position	Gun loaded & placed on chair with spare magazines.
Firearm ready condition	Loaded.
Start on	Audible signal
Stop on	Last shot
Penalties	As per current edition of rules
Safety angles	90/90/90 or local MAR.
Setup notes	Targets A, B & C at table/work top height. Rest at ground level.

6. Spinning Top

Stage 6 – Spinning Top



CoF	Comstock - Long	Points	160 p
Targets	16 paper, 2 no-shoot, Total 16 targets	Min rounds	32
Firearm	Action Air	Match-%	30.19%

Procedure	Standing upright facing and legs touching chair. Gun loaded in holster. On audible start signal shoot the targets as they become visible from within the demarcated area.
Starting position	Gun loaded & holstered. Arms hanging by sides.
Firearm ready condition	Loaded
Start on	Audible signal
Stop on	Last shot
Penalties	As per current edition of rules
Safety angles	90/90/90
Setup notes	No shoot aligns with bottom of A zone. Targets should be setup to force 4 shooting positions.