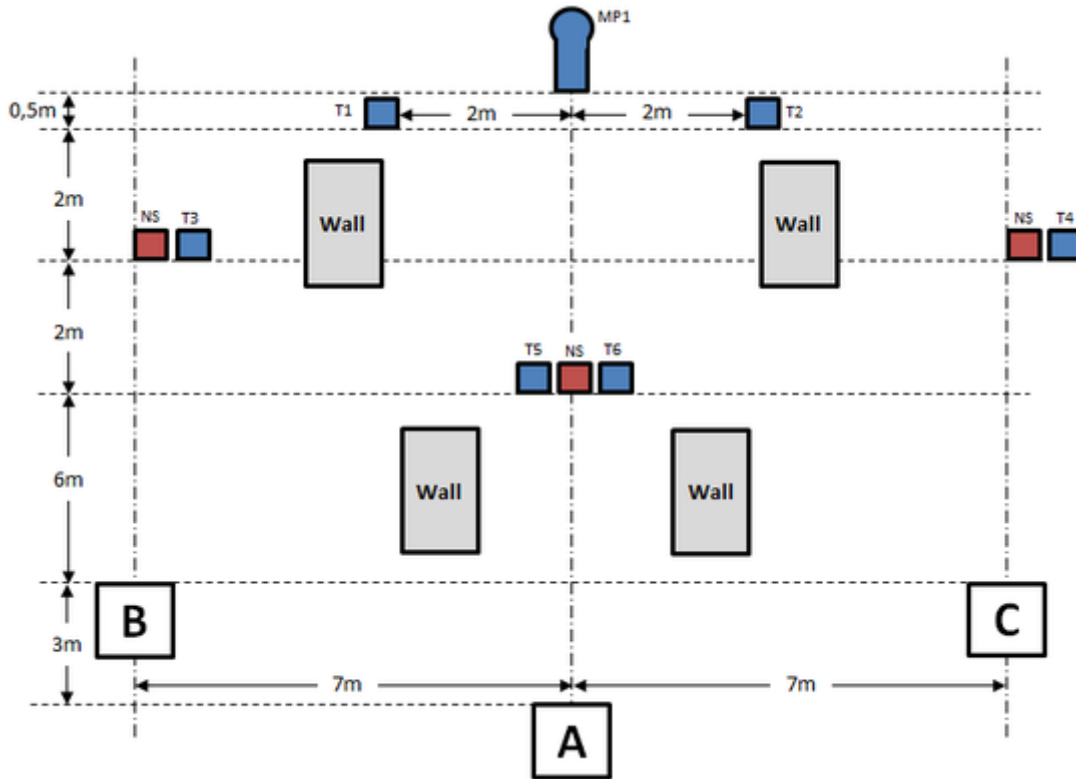


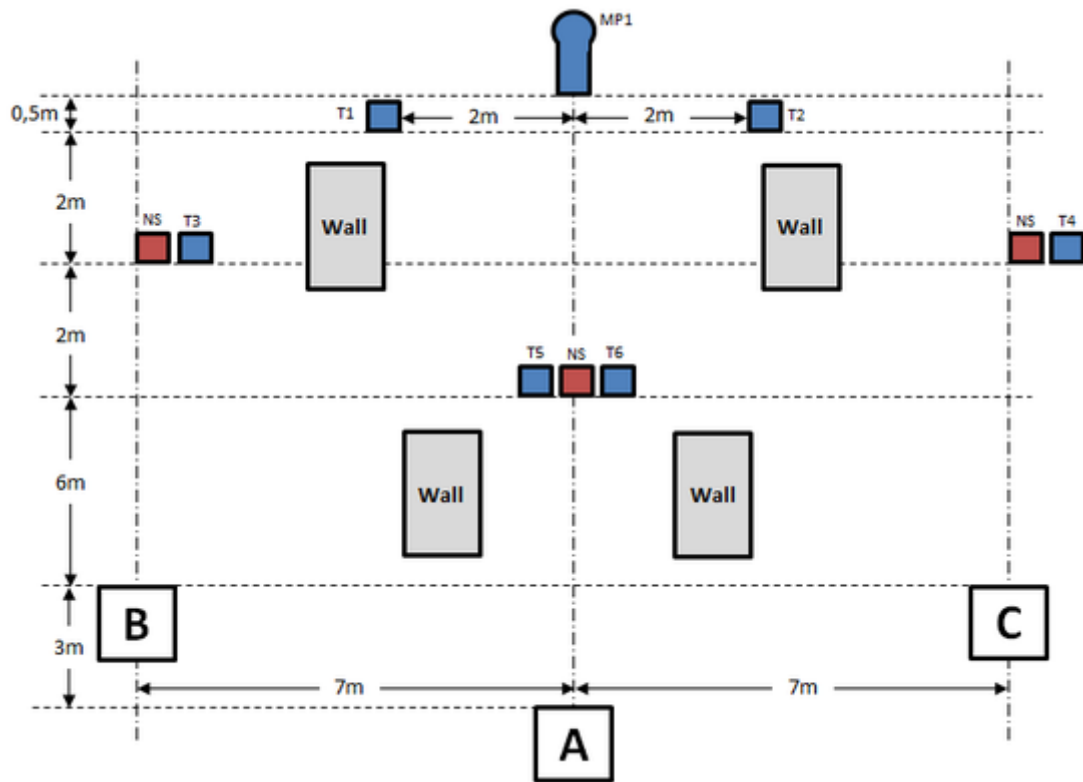
# 1. Shotgun Juni #1



|         |   |            |        |
|---------|---|------------|--------|
| CoF     | Comstock - Short                                | Points     | 35 p   |
| Targets | 1 popper, 6 plates, 3 no-shoot, Total 7 targets | Min rounds | 7      |
| Firearm | Shotgun   | Match-%    | 33.33% |

|                         |  |
|-------------------------|--|
| Procedure               | After the audible start signal engage targets. T5&T6; can only be shot from area "A", T2&T3; can only be shot from area "B" and T1&T4; can only be shot from area "C". |
| Starting position       | Standing upright facing downrange in area "A".   |
| Firearm ready condition | Loaded (Option 1).   |
| Start on                | Audible signal   |
| Stop on                 | Last shot  |
| Penalties               | As per current edition of rules  |
| Safety angles           | L/R  |
| Setup notes             |  |

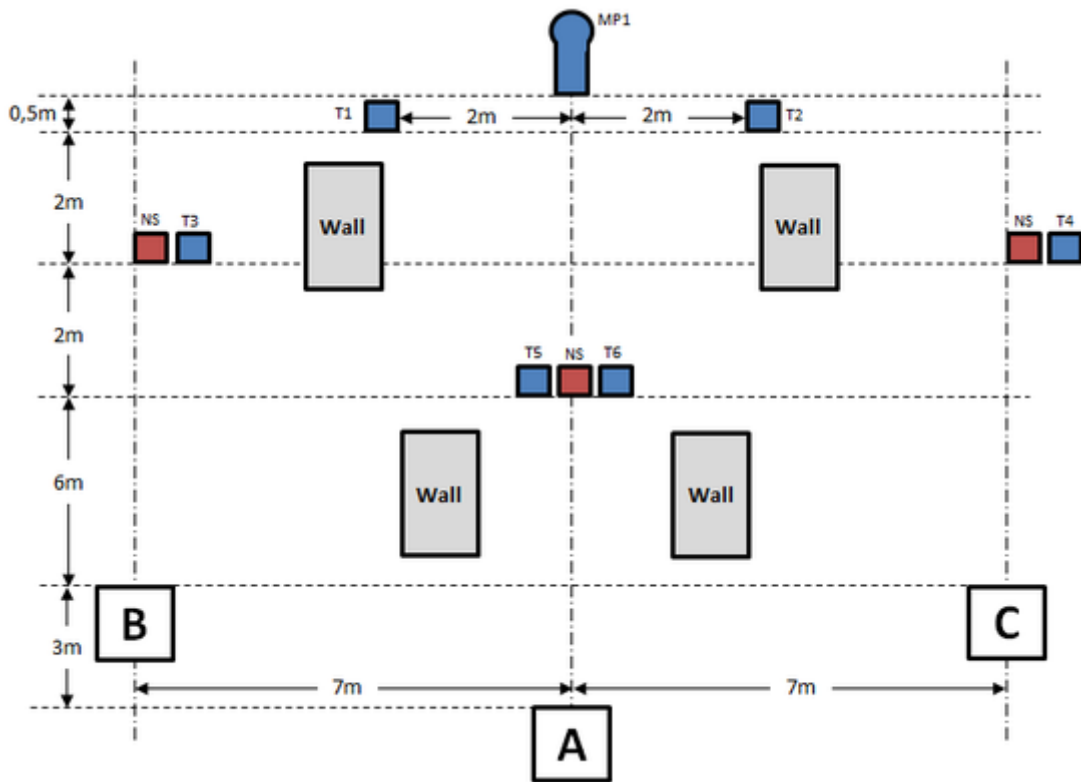
## 2. Shotgun Juni #2



|         |   |            |        |
|---------|---|------------|--------|
| CoF     | Comstock - Short                                | Points     | 35 p   |
| Targets | 1 popper, 6 plates, 3 no-shoot, Total 7 targets | Min rounds | 7      |
| Firearm | Shotgun   | Match-%    | 33.33% |

|                         |  |
|-------------------------|--|
| Procedure               | After the audible start signal engage targets. T5&T6; can only be shot from area "A", T2&T3; can only be shot from area "B" and T1&T4; can only be shot from area "C". |
| Starting position       | Standing upright facing downrange in area "B".   |
| Firearm ready condition | Loaded (Option 1).   |
| Start on                | Audible signal   |
| Stop on                 | Last shot  |
| Penalties               | As per current edition of rules  |
| Safety angles           | L/R  |
| Setup notes             |  |

### 3. Shotgun Juni #3



|         |   |            |        |
|---------|---|------------|--------|
| CoF     | Comstock - Short                                | Points     | 35 p   |
| Targets | 1 popper, 6 plates, 3 no-shoot, Total 7 targets | Min rounds | 7      |
| Firearm | Shotgun   | Match-%    | 33.33% |

|                         |  |
|-------------------------|--|
| Procedure               | After the audible start signal engage targets. T5&T6; can only be shot from area "A", T2&T3; can only be shot from area "B" and T1&T4; can only be shot from area "C". |
| Starting position       | Standing upright facing downrange in area "C".   |
| Firearm ready condition | Loaded (Option 1).   |
| Start on                | Audible signal   |
| Stop on                 | Last shot  |
| Penalties               | As per current edition of rules  |
| Safety angles           | L/R  |
| Setup notes             |  |