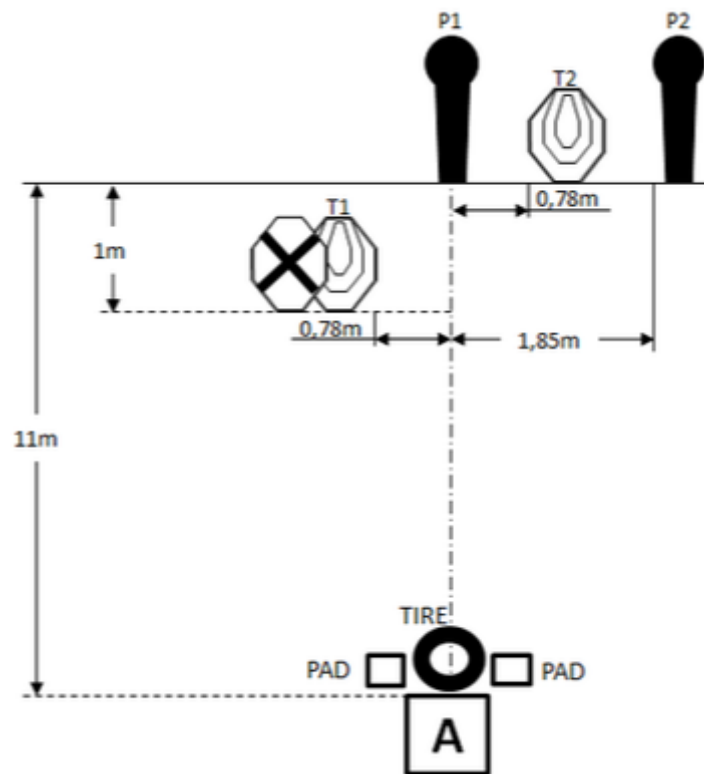


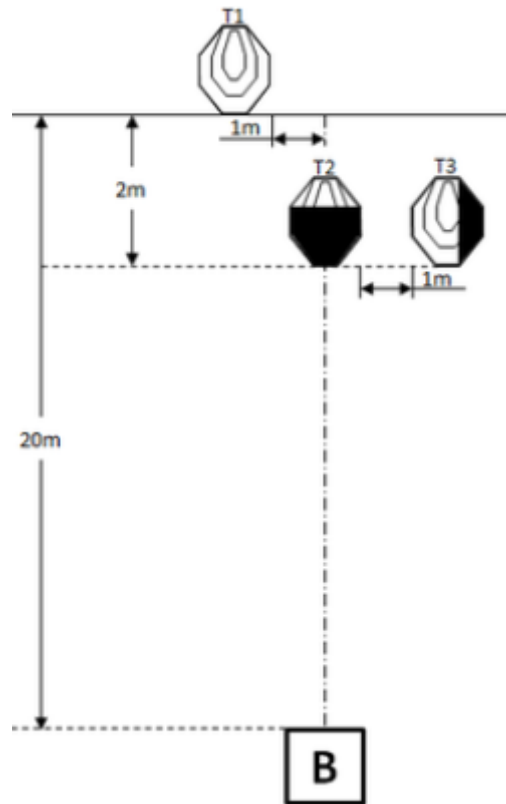
1. Mini Rifle Maj #1



| | | | |
|---------|--|------------|--------|
| CoF | Comstock - Short | Points | 30 p |
| Targets | 2 paper, 2 popper, 1 no-shoot, Total 4 targets | Min rounds | 6 |
| Firearm | Mini Rifle | Match-% | 14.29% |

| | |
|-------------------------|---|
| Procedure | After the audible start signal engage. |
| Starting position | Facing downrange with both hands on top of a car tire which is standing upright. |
| Firearm ready condition | Unloaded (Option 3). Rifle placed on one pad and all magazines to be used on the other one. |
| Start on | Audible signal |
| Stop on | Last shot |
| Penalties | As per current edition of rules |
| Safety angles | L/R |
| Setup notes | |

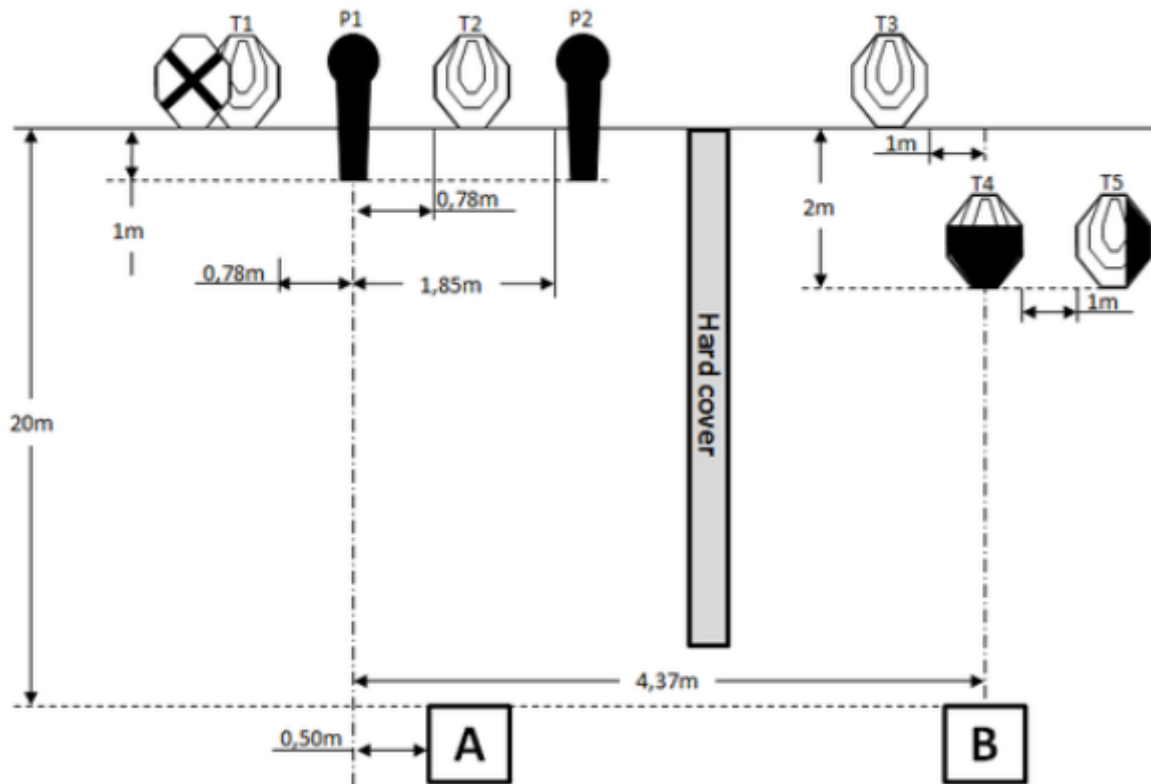
2. Mini Rifle Maj #2



| | | | |
|---------|--------------------------|------------|--------|
| CoF | Comstock - Short | Points | 30 p |
| Targets | 3 paper, Total 3 targets | Min rounds | 6 |
| Firearm | Mini Rifle | Match-% | 14.29% |

| | |
|-------------------------|---|
| Procedure | After the audible start signal engage. |
| Starting position | Standing erect in area "B", stock touching the competitor at hip level. |
| Firearm ready condition | Unloaded (Option 3). |
| Start on | Audible signal |
| Stop on | Last shot |
| Penalties | As per current edition of rules |
| Safety angles | L/R |
| Setup notes | |

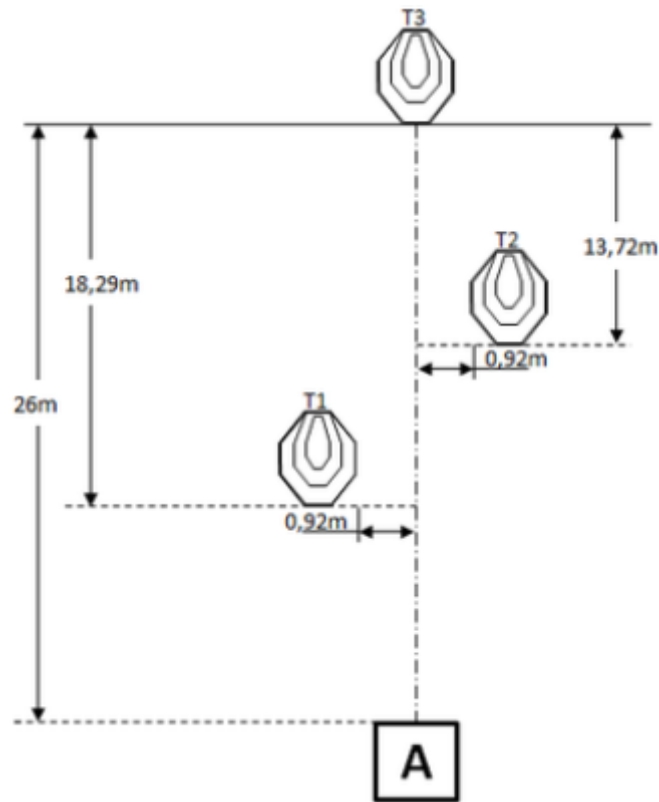
3. Mini Rifle Maj #3



| | | | |
|---------|--|------------|--------|
| CoF | Comstock - Medium | Points | 60 p |
| Targets | 5 paper, 2 popper, 1 no-shoot, Total 7 targets | Min rounds | 12 |
| Firearm | Mini Rifle | Match-% | 28.57% |

| | |
|-------------------------|--|
| Procedure | After the audible start signal engage the first group of targets. Then move to the opposite area and engage the remaining targets. |
| Starting position | Standing erect in area "A" or "B", stock touching the competitor at hip level. |
| Firearm ready condition | Loaded (Option 1) |
| Start on | Audible signal |
| Stop on | Last shot |
| Penalties | As per current edition of rules |
| Safety angles | L/R |
| Setup notes | |

4. Mini Rifle Maj #4



| | | | |
|---------|--------------------------|------------|--------|
| CoF | Comstock - Medium | Points | 90 p |
| Targets | 3 paper, Total 3 targets | Min rounds | 18 |
| Firearm | Mini Rifle | Match-% | 42.86% |

| | |
|-------------------------|--|
| Procedure | After the audible start signal engage targets with a minimum of 6 rounds each. |
| Starting position | Standing erect in area "A", stock touching the competitor at hip level. |
| Firearm ready condition | Loaded (Option 1) |
| Start on | Audible signal |
| Stop on | Last shot |
| Penalties | As per current edition of rules |
| Safety angles | L/R |
| Setup notes | |