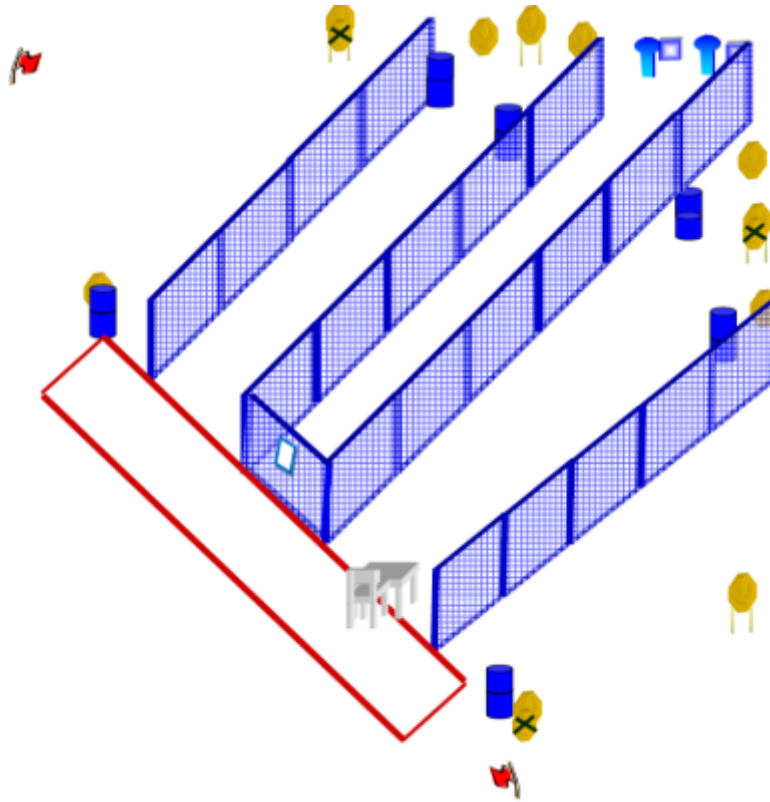


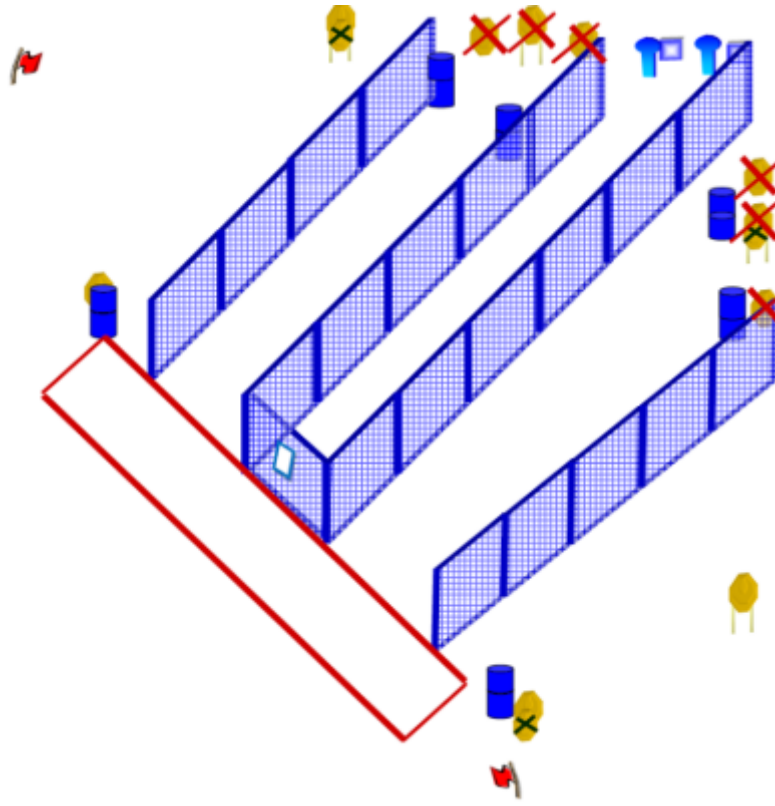
1. Stage 1



CoF	Comstock - Medium	Points	120 p
Targets	10 paper, 2 popper, 2 plates, 10 no-shoot, Total 14 targets	Min rounds	24
Firearm	Handgun	Match-%	18.75%

Procedure	
Starting position	
Firearm ready condition	Gun is unloaded with empty chamber and magwell, laying flat on table.
Start on	00
Stop on	Last shot
Penalties	As per current edition of rules
Safety angles	Safetyflags on the left and right
Setup notes	

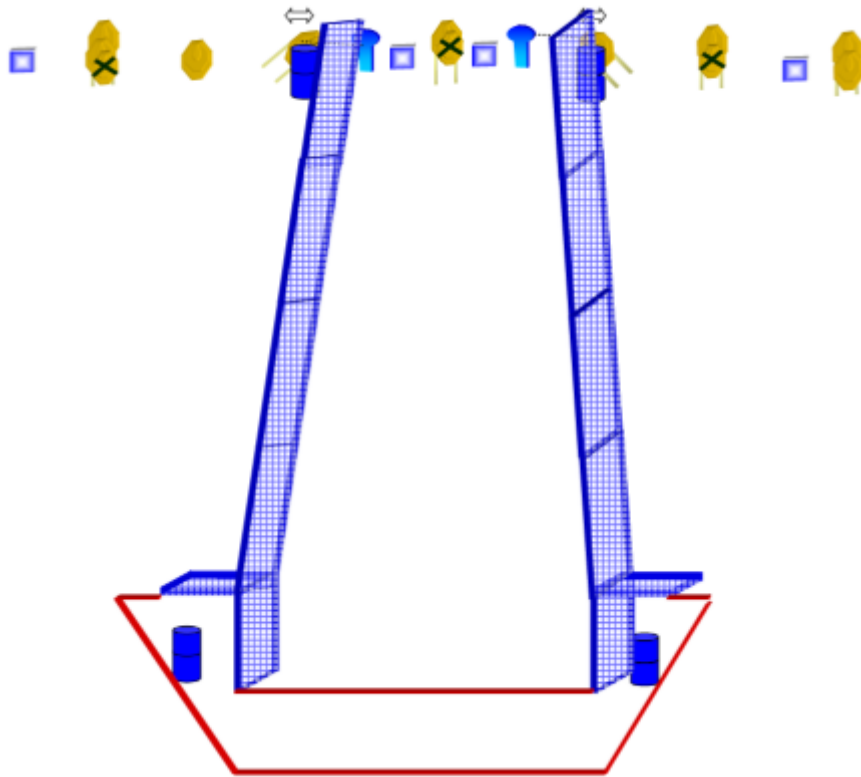
2. Stage 2



CoF	Comstock - Short	Points	60 p
Targets	4 paper, 2 popper, 2 plates, 4 no-shoot, Total 8 targets	Min rounds	12
Firearm	Handgun	Match-%	9.38%

Procedure	
Starting position	
Firearm ready condition	Loaded and holstered
Start on	00
Stop on	Last shot
Penalties	As per current edition of rules
Safety angles	Safetyflags on the left and right
Setup notes	

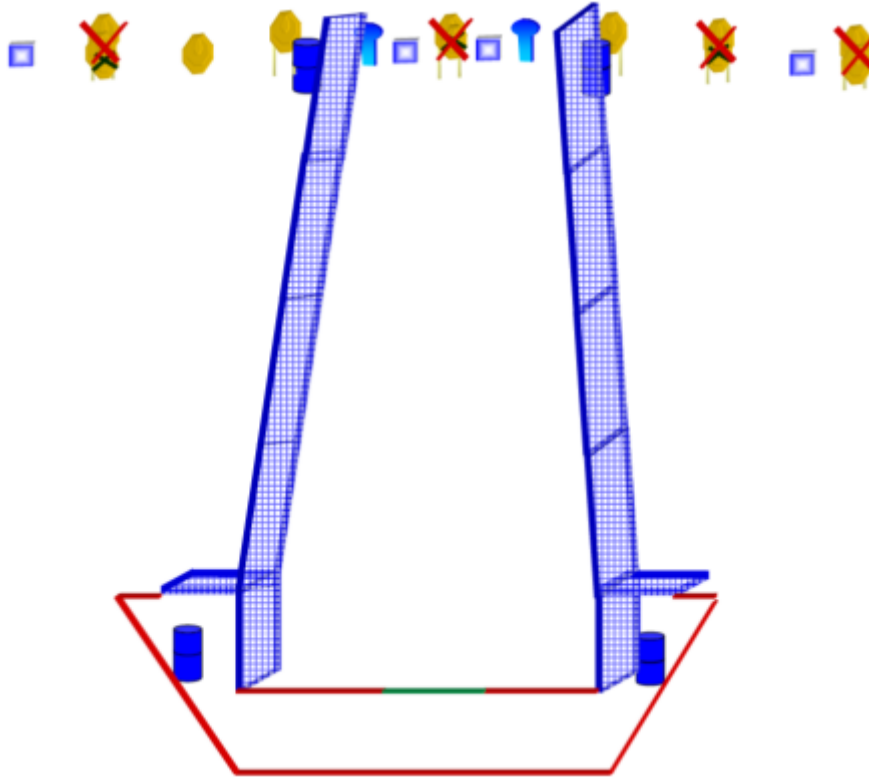
3. Stage 3



CoF	Comstock - Medium	Points	120 p
Targets	9 paper, 2 popper, 4 plates, 9 no-shoot, Total 15 targets	Min rounds	24
Firearm	Handgun	Match-%	18.75%

Procedure	
Starting position	
Firearm ready condition	Loaded & holstered
Start on	00
Stop on	Last shot
Penalties	As per current edition of rules
Safety angles	L/R
Setup notes	

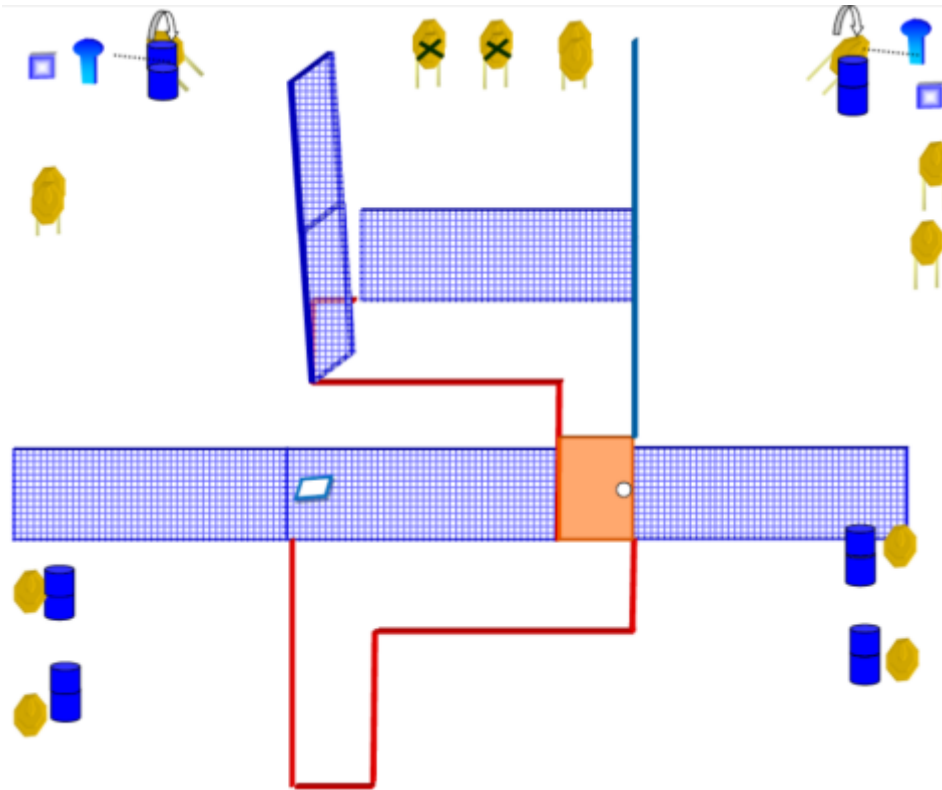
4. Stage 4



CoF	Comstock - Short	Points	60 p
Targets	3 paper, 2 popper, 4 plates, 3 no-shoot, Total 9 targets	Min rounds	12
Firearm	Handgun	Match-%	9.38%

Procedure	
Starting position	
Firearm ready condition	Loaded & holstered
Start on	00
Stop on	Last shot
Penalties	As per current edition of rules
Safety angles	L/R
Setup notes	

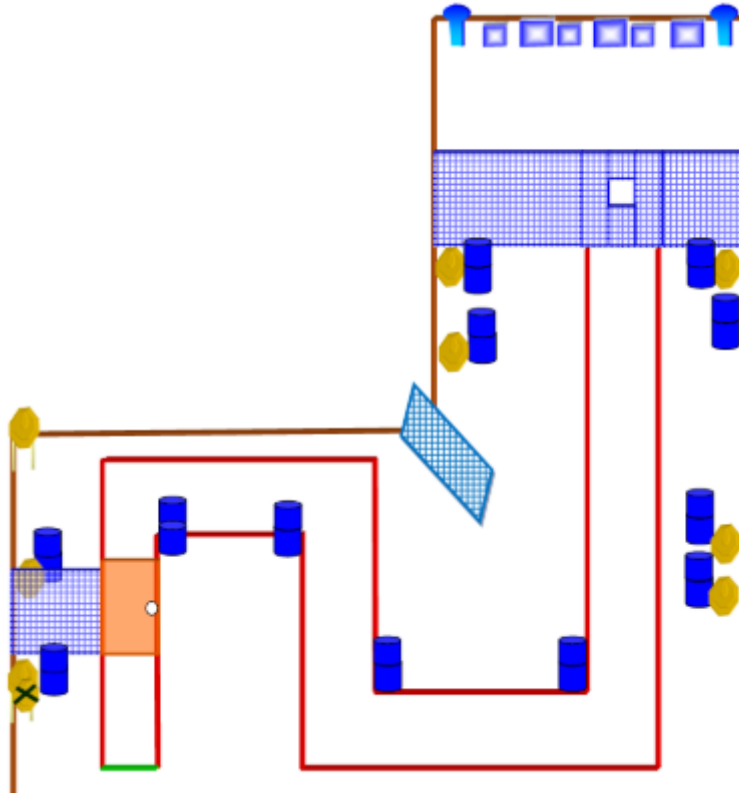
5. Stage 5



CoF	Comstock - Long	Points	160 p
Targets	14 paper, 2 popper, 2 plates, 14 no-shoot, Total 18 targets	Min rounds	32
Firearm	Handgun	Match-%	25.00%

Procedure	
Starting position	
Firearm ready condition	Loaded and holstered
Start on	00
Stop on	Last shot
Penalties	As per current edition of rules
Safety angles	L/R
Setup notes	

6. Stage 6



CoF	Comstock - Medium	Points	120 p
Targets	8 paper, 2 popper, 6 plates, 8 no-shoot, Total 16 targets	Min rounds	24
Firearm	Handgun	Match-%	18.75%

Procedure	
Starting position	
Firearm ready condition	Loaded and holstered
Start on	00
Stop on	Last shot
Penalties	As per current edition of rules
Safety angles	L/R
Setup notes	