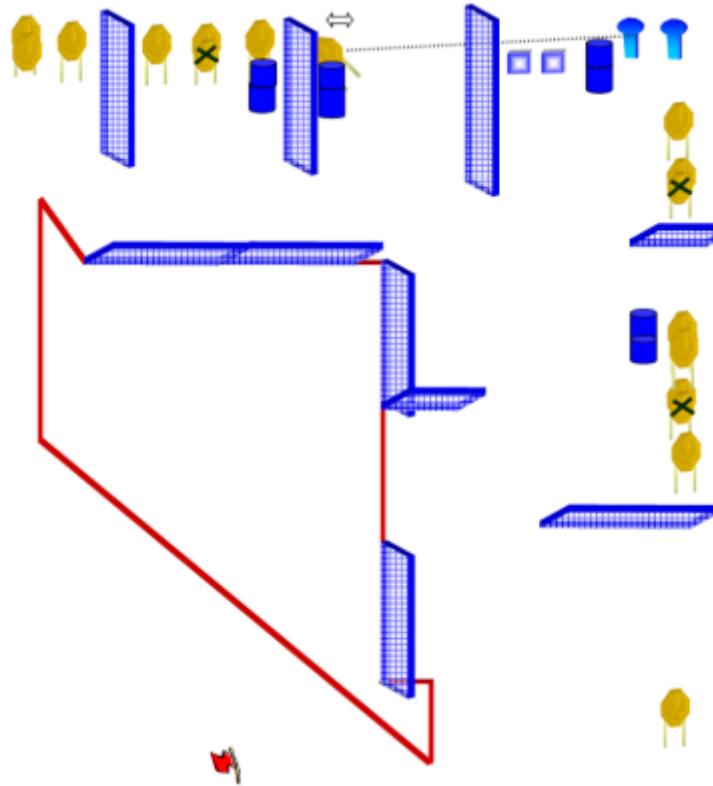


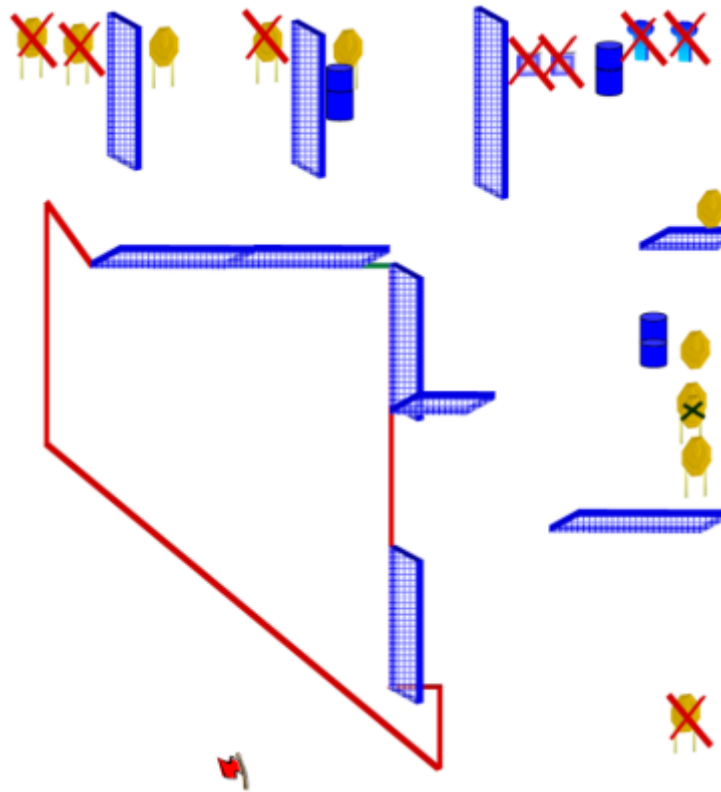
1. Stage 1



CoF	Comstock - Long	Points	160 p
Targets	14 paper, 2 popper, 2 plates, 14 no-shoot, Total 18 targets	Min rounds	32
Firearm	Handgun	Match-%	20.00%

Procedure	
Starting position	
Firearm ready condition	
Start on	00
Stop on	Last shot
Penalties	As per current edition of rules
Safety angles	L/ Safety flag on the right
Setup notes	

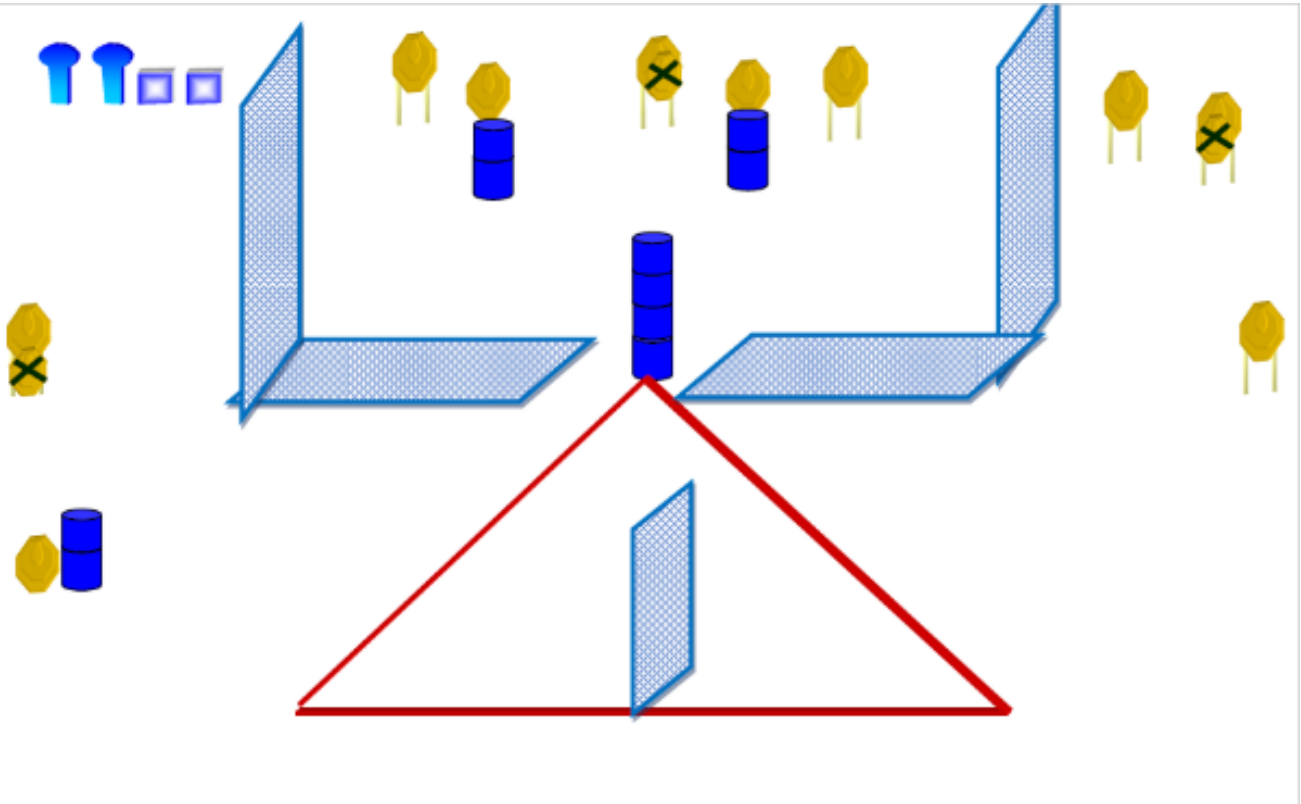
2. Stage 2



CoF	Comstock - Short	Points	60 p
Targets	6 paper, 6 no-shoot, Total 6 targets	Min rounds	12
Firearm	Handgun	Match-%	7.50%

Procedure	
Starting position	
Firearm ready condition	
Start on	00
Stop on	Last shot
Penalties	As per current edition of rules
Safety angles	L/ Safety flag on the right
Setup notes	

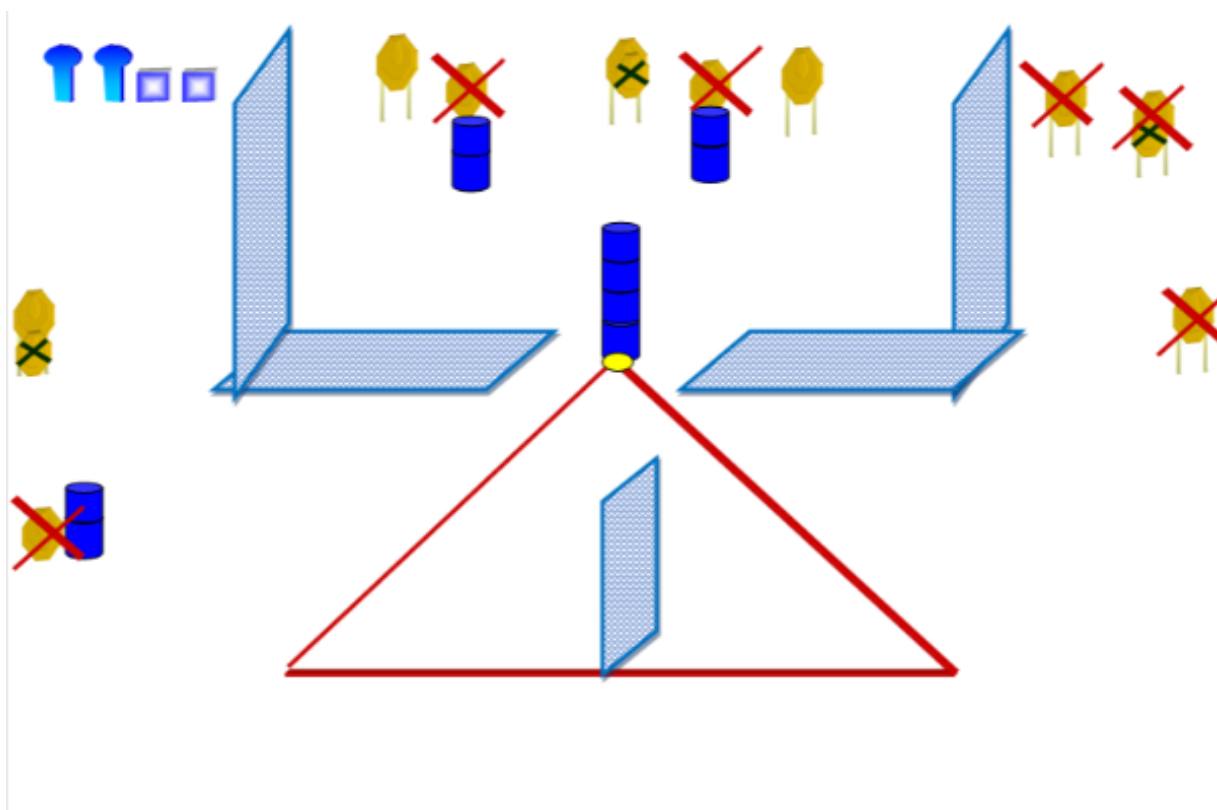
3. Stage 3



CoF	Comstock - Medium	Points	120 p
Targets	10 paper, 2 popper, 2 plates, 10 no-shoot, Total 14 targets	Min rounds	24
Firearm	Handgun	Match-%	15.00%

Procedure	
Starting position	
Firearm ready condition	
Start on	00
Stop on	Last shot
Penalties	As per current edition of rules
Safety angles	L/R
Setup notes	

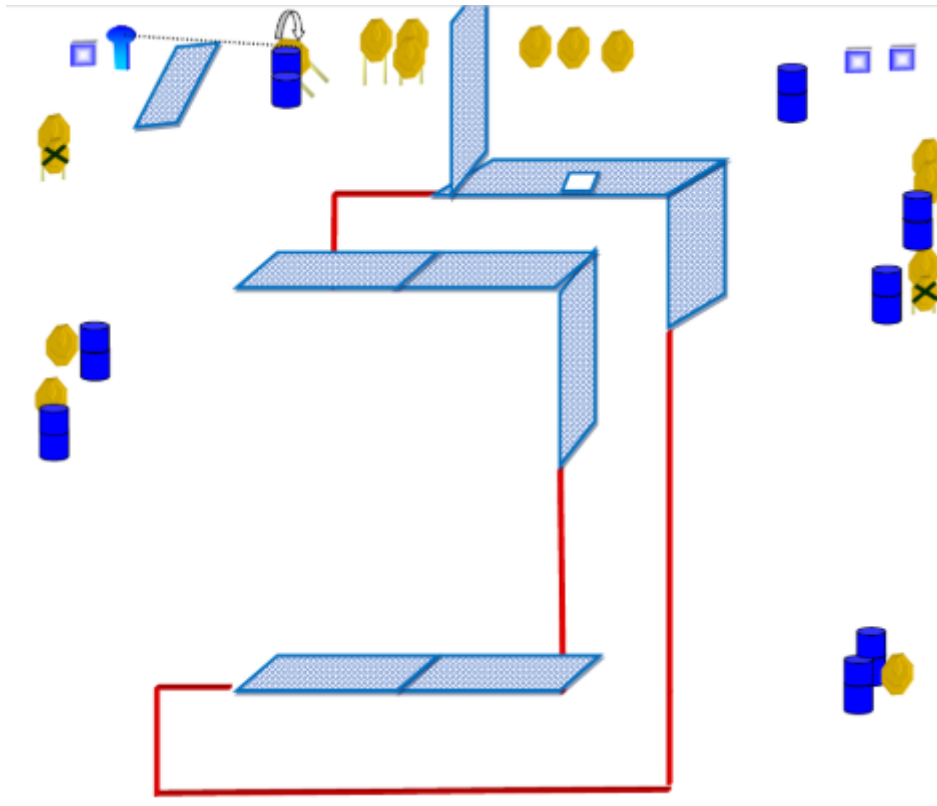
4. Stage 4



CoF	Comstock - Short	Points	60 p
Targets	4 paper, 2 popper, 2 plates, 4 no-shoot, Total 8 targets	Min rounds	12
Firearm	Handgun	Match-%	7.50%

Procedure	
Starting position	
Firearm ready condition	Magazine inserted, empty chamber
Start on	00
Stop on	Last shot
Penalties	As per current edition of rules
Safety angles	L/R
Setup notes	

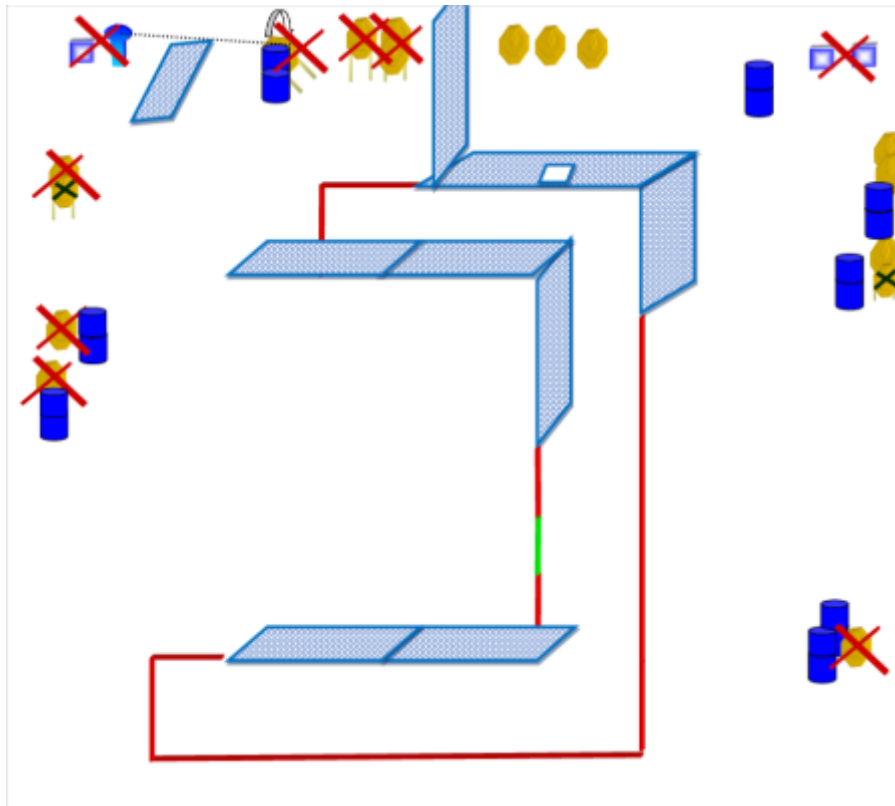
5. Stage 5



CoF	Comstock - Long	Points	160 p
Targets	14 paper, 1 popper, 3 plates, 14 no-shoot, Total 18 targets	Min rounds	32
Firearm	Handgun	Match-%	20.00%

Procedure	
Starting position	
Firearm ready condition	
Start on	00
Stop on	Last shot
Penalties	As per current edition of rules
Safety angles	L/R
Setup notes	Building instruction: Window is low!

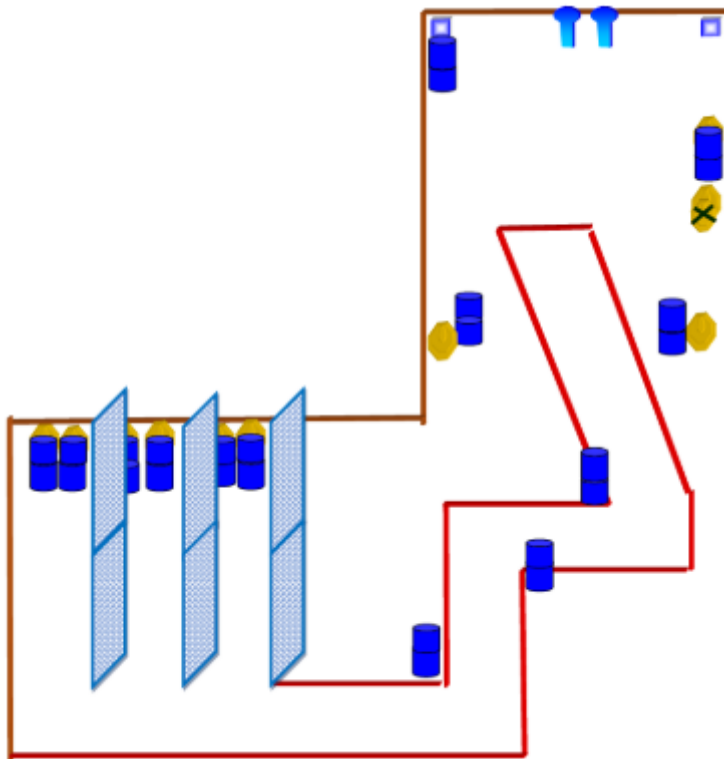
6. Stage 6



CoF	Comstock - Short	Points	60 p
Targets	6 paper, 6 no-shoot, Total 6 targets	Min rounds	12
Firearm	Handgun	Match-%	7.50%

Procedure	
Starting position	
Firearm ready condition	
Start on	00
Stop on	Last shot
Penalties	As per current edition of rules
Safety angles	L/R
Setup notes	

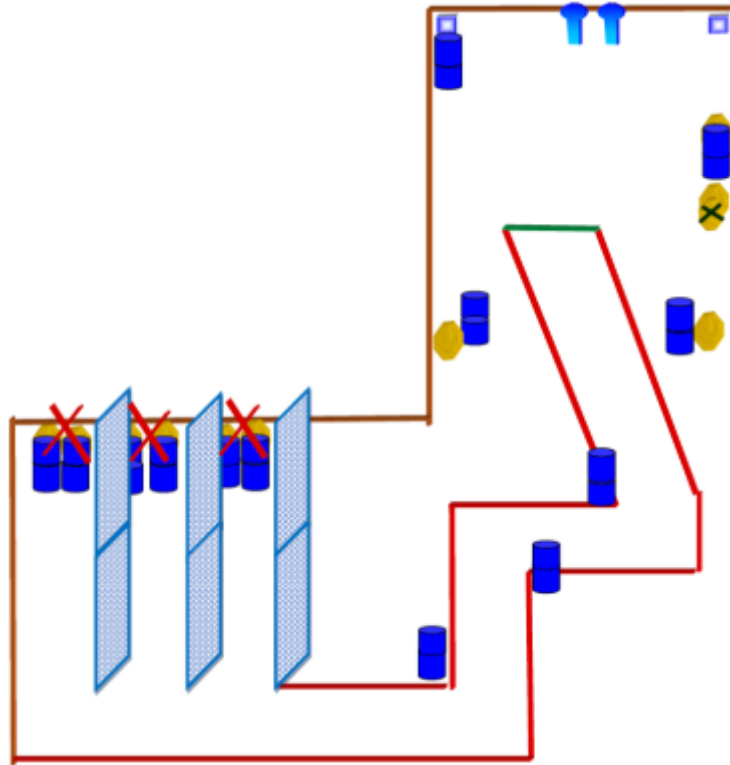
7. Stage 7



CoF	Comstock - Medium	Points	120 p
Targets	10 paper, 2 popper, 2 plates, 10 no-shoot, Total 14 targets	Min rounds	24
Firearm	Handgun	Match-%	15.00%

Procedure	
Starting position	
Firearm ready condition	Handgun is loaded and holstered, all other magazines/clips to be placed on barrels
Start on	00
Stop on	Last shot
Penalties	As per current edition of rules
Safety angles	L/R
Setup notes	

8. Stage 8



CoF	Comstock - Short	Points	60 p
Targets	4 paper, 2 popper, 2 plates, 4 no-shoot, Total 8 targets	Min rounds	12
Firearm	Handgun	Match-%	7.50%

Procedure	
Starting position	
Firearm ready condition	
Start on	00
Stop on	Last shot
Penalties	As per current edition of rules
Safety angles	L/R
Setup notes	