

1. Stage 1



CoF	Comstock - Short	Points	30 p
Targets	6 plates, Total 6 targets	Min rounds	6
Firearm	Shotgun	Match-%	6.00%

Procedure	15m On audible start signal engage the targets freestyle.
Starting position	Rule 8.2.2.1
Firearm ready condition	Loaded Option 1
Start on	Audible signal
Stop on	Last shot
Penalties	As per current edition of rules
Safety angles	90/90/90 or local MAR
Setup notes	

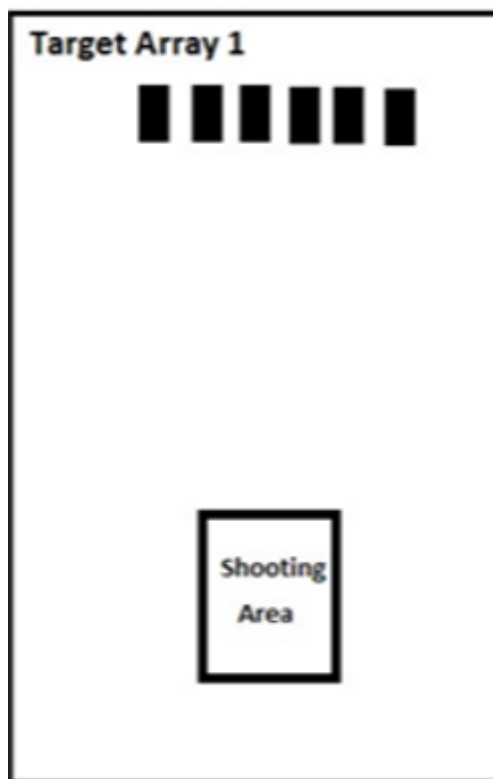
2. Stage 2



CoF	Comstock - Short	Points	30 p
Targets	6 plates, Total 6 targets	Min rounds	6
Firearm	Shotgun	Match-%	6.00%

Procedure	10m On the audible start signal engage the targets freestyle
Starting position	Rule 8.2.2.@
Firearm ready condition	Loaded Option 1
Start on	Audible signal
Stop on	Last shot
Penalties	As per current edition of rules
Safety angles	90/90/90 or local MAR
Setup notes	

3. Stage 3



CoF	Comstock - Short	Points	30 p
Targets	6 plates, Total 6 targets	Min rounds	6
Firearm	Shotgun	Match-%	6.00%

Procedure	7m On the audible start signal engage the targets, freestyle.
Starting position	Rule 8.2.2.1
Firearm ready condition	Loaded Option 1
Start on	Audible signal
Stop on	Last shot
Penalties	As per current edition of rules
Safety angles	90/90/90 or local MAR
Setup notes	

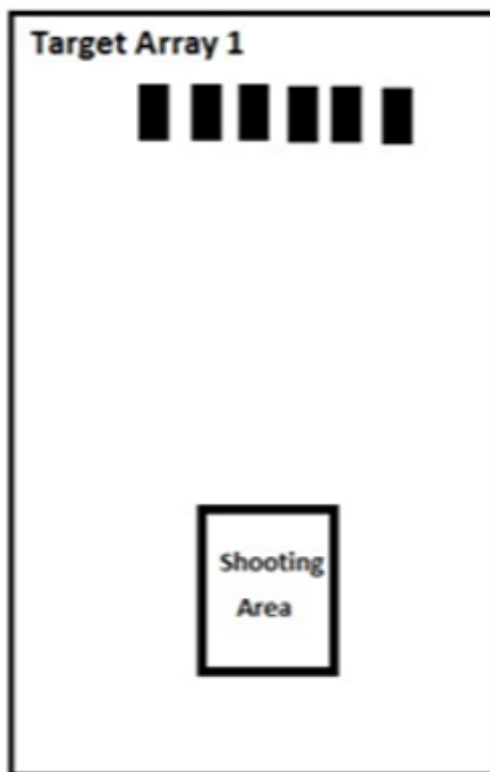
4. Stage 4



CoF	Comstock - Short	Points	30 p
Targets	6 plates, Total 6 targets	Min rounds	6
Firearm	Shotgun	Match-%	6.00%

Procedure	10m On the audible start signal engage the targets, load 1 shoot 1 only.
Starting position	Rule 8.2.2.1
Firearm ready condition	Unloaded option 3
Start on	Audible signal
Stop on	Last shot
Penalties	As per current edition of rules
Safety angles	90/90/90 or local MAR
Setup notes	

5. Stage 5



CoF	Comstock - Short	Points	30 p
Targets	6 plates, Total 6 targets	Min rounds	6
Firearm	Shotgun	Match-%	6.00%

Procedure	10m On the audible start signal engage the targets freestyle.
Starting position	Rule 8.2.2.1
Firearm ready condition	Unloaded option 3
Start on	Audible signal
Stop on	Last shot
Penalties	As per current edition of rules
Safety angles	90/90/90 or local MAR
Setup notes	

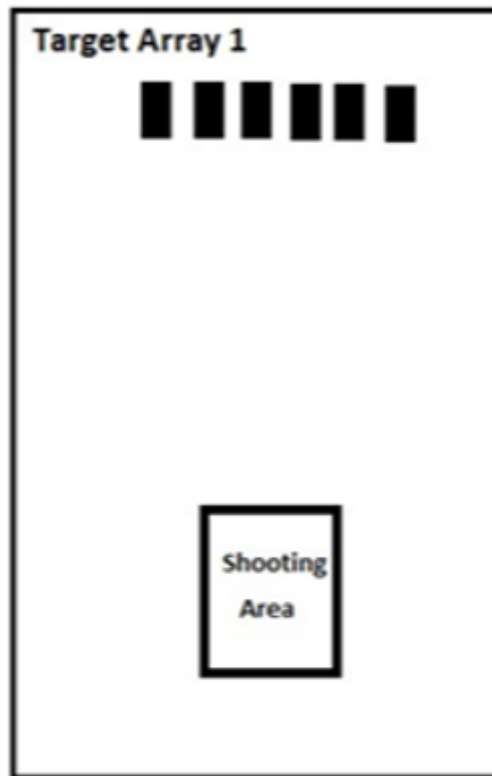
6. Stage 6



CoF	Comstock - Short	Points	30 p
Targets	6 plates, Total 6 targets	Min rounds	6
Firearm	Shotgun	Match-%	6.00%

Procedure	On the audible start signal engage the targets freestyle.
Starting position	Rule 8.2.2.1
Firearm ready condition	Loaded Option 2
Start on	Audible signal
Stop on	Last shot
Penalties	As per current edition of rules
Safety angles	90/90/90 or local MAR
Setup notes	

7. Stage 7



CoF	Comstock - Short	Points	30 p
Targets	6 plates, Total 6 targets	Min rounds	6
Firearm	Shotgun	Match-%	6.00%

Procedure	10m On the audible start signal engage the targets from your weak shoulder.
Starting position	Rule 8.2.2.1.
Firearm ready condition	Unloaded option 3
Start on	Audible signal
Stop on	Last shot
Penalties	As per current edition of rules
Safety angles	90/90/90 or local MAR
Setup notes	

8. Stage 8



CoF	Comstock - Short	Points	30 p
Targets	6 plates, Total 6 targets	Min rounds	6
Firearm	Shotgun	Match-%	6.00%

Procedure	10m On the audible start signal engage the targets from your weak shoulder.
Starting position	Rule 8.2.2.1
Firearm ready condition	LoDed Option 2
Start on	Audible signal
Stop on	Last shot
Penalties	As per current edition of rules
Safety angles	90/90/90 or local MAR
Setup notes	

9. Stage 9



CoF	Comstock - Short	Points	30 p
Targets	6 plates, Total 6 targets	Min rounds	6
Firearm	Shotgun	Match-%	6.00%

Procedure	10m On audible start signal engage the targets from your weak shoulder.
Starting position	Rule 8.2.2.1
Firearm ready condition	Loaded Option 1
Start on	Audible signal
Stop on	Last shot
Penalties	As per current edition of rules
Safety angles	90/90/90 or local MAR
Setup notes	

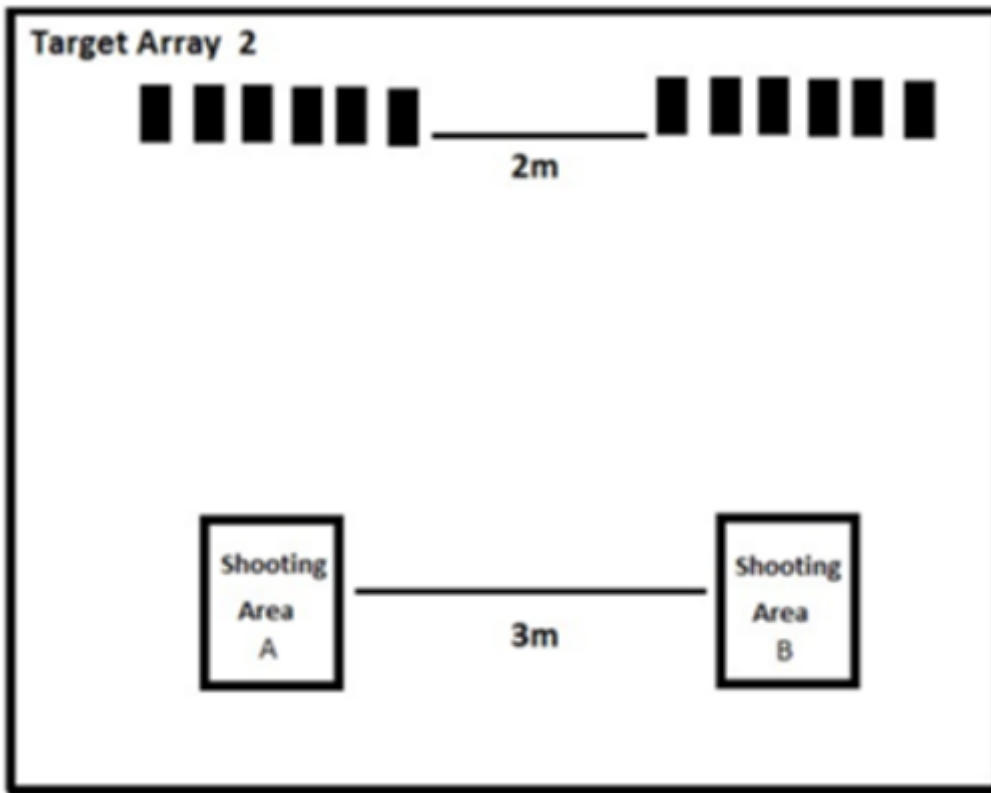
10. Stage 10



CoF	Comstock - Short	Points	30 p
Targets	6 plates, Total 6 targets	Min rounds	6
Firearm	Shotgun	Match-%	6.00%

Procedure	10m On audible start signal engage the targets whilst remaining seated.
Starting position	Seated on chair. Gun held in two hands across thighs
Firearm ready condition	Loaded Option 2
Start on	Audible signal
Stop on	Last shot
Penalties	As per current edition of rules
Safety angles	90/90/90 or local MAR
Setup notes	

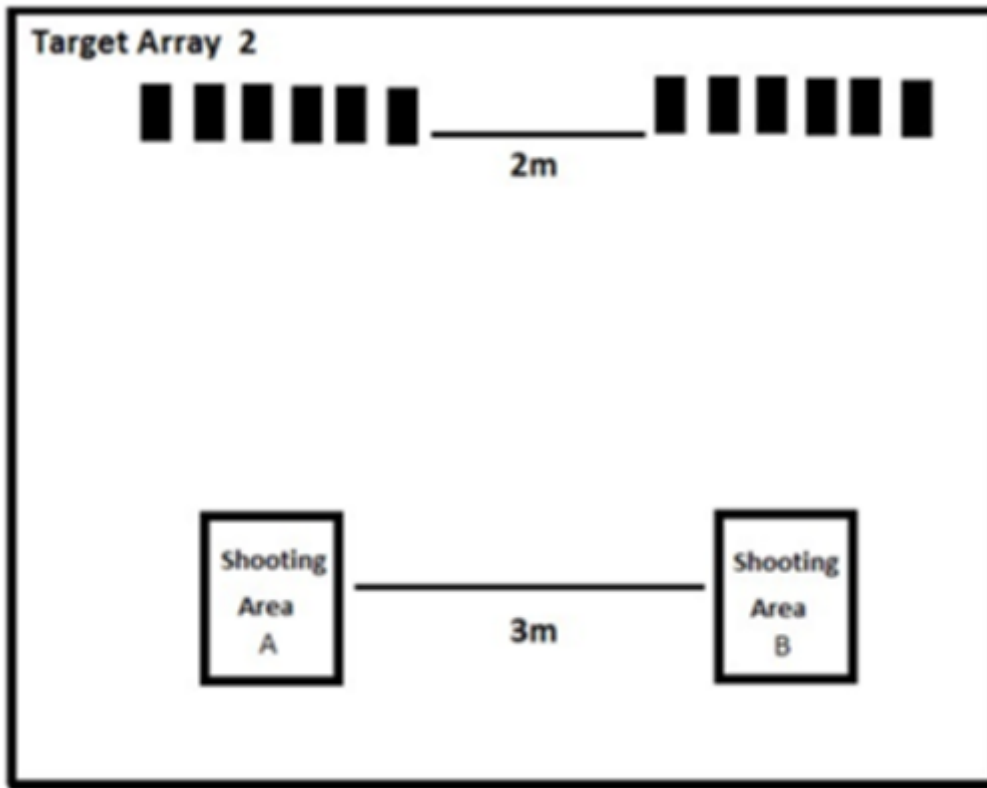
11. Stage 11



CoF	Comstock - Medium	Points	60 p
Targets	12 plates, Total 12 targets	Min rounds	12
Firearm	Shotgun	Match-%	12.00%

Procedure	10m On audible start signal engage the targets 1-6 from box A. Move to other box whilst carrying out a compulsory reload and engage remaining targets from the second.
Starting position	Rule 8.2.2.1 in either box.
Firearm ready condition	Loaded option 1
Start on	Audible signal
Stop on	Last shot
Penalties	As per current edition of rules
Safety angles	90/90/90 or local MAR
Setup notes	

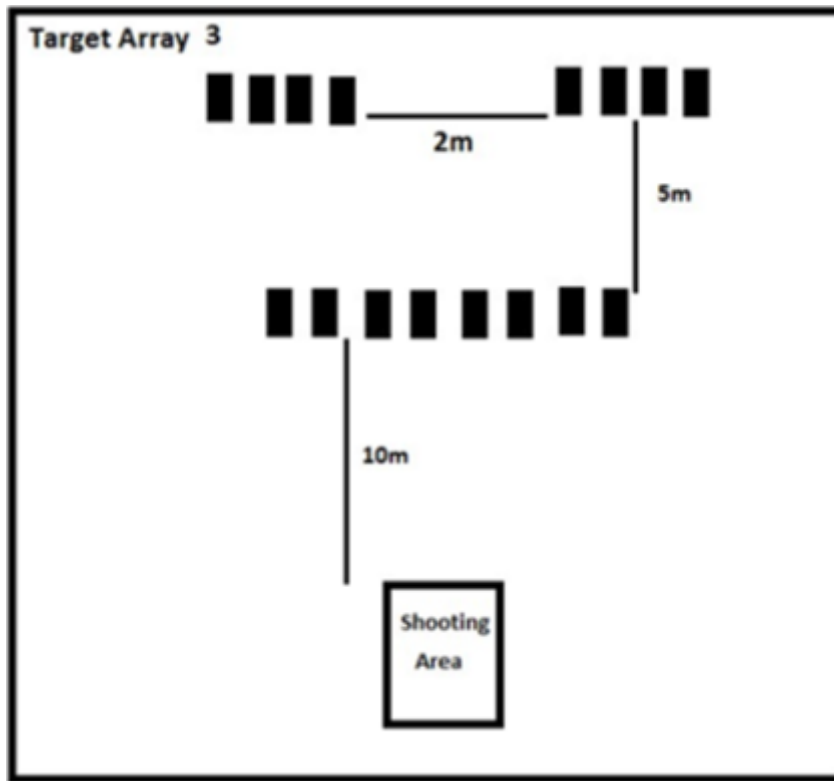
12. Stage 12



CoF	Comstock - Medium	Points	60 p
Targets	12 plates, Total 12 targets	Min rounds	12
Firearm	Shotgun	Match-%	12.00%

Procedure	10m On audible start signal engage the targets 1-6 from box A, freestyle. Move to other box whilst carrying out a compulsory reload and engage remaining targets from the second box from your weak shoulder.
Starting position	Rule 8.2.2.2.1 in either box
Firearm ready condition	Loaded option 1
Start on	Audible signal
Stop on	Last shot
Penalties	As per current edition of rules
Safety angles	90/90/90
Setup notes	

13. Stage 13



CoF	Comstock - Medium	Points	80 p
Targets	16 plates, Total 16 targets	Min rounds	16
Firearm	Shotgun	Match-%	16.00%

Procedure	10 - 15m. On audible start signal engage targets 1-4 carry out a compulsory reload and engage targets 5-8. Carry out a further compulsory reload and engage targets 9-16. All freestyle
Starting position	Rule 8.2.2.1
Firearm ready condition	Loaded Option 1
Start on	Audible signal
Stop on	Last shot
Penalties	As per current edition of rules
Safety angles	90/90/90
Setup notes	