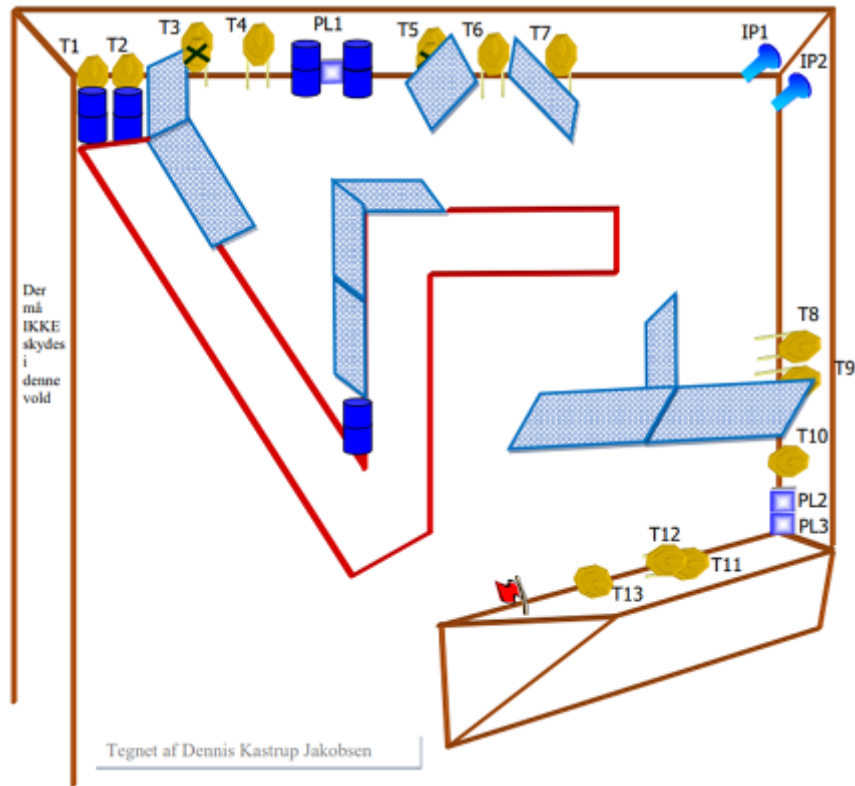


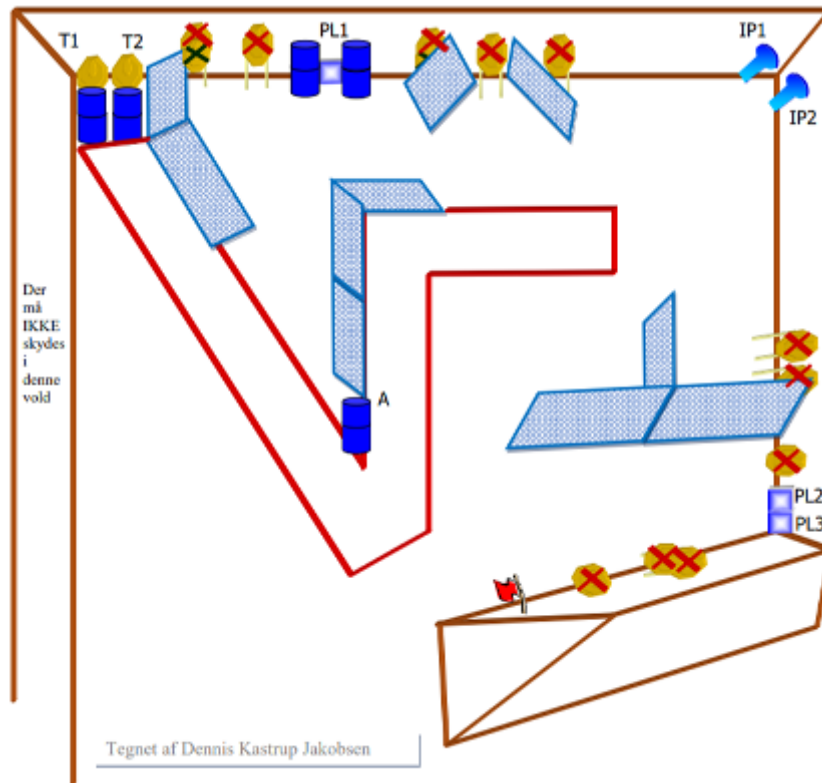
1.1



CoF	Comstock - Long	Points	155 p
Targets	13 paper, 2 popper, 3 plates, 13 no-shoot, Total 18 targets	Min rounds	31
Firearm	Handgun	Match-%	20.39%

Procedure	
Starting position	
Firearm ready condition	
Start on	00
Stop on	Last shot
Penalties	As per current edition of rules
Safety angles	Flag on the right
Setup notes	

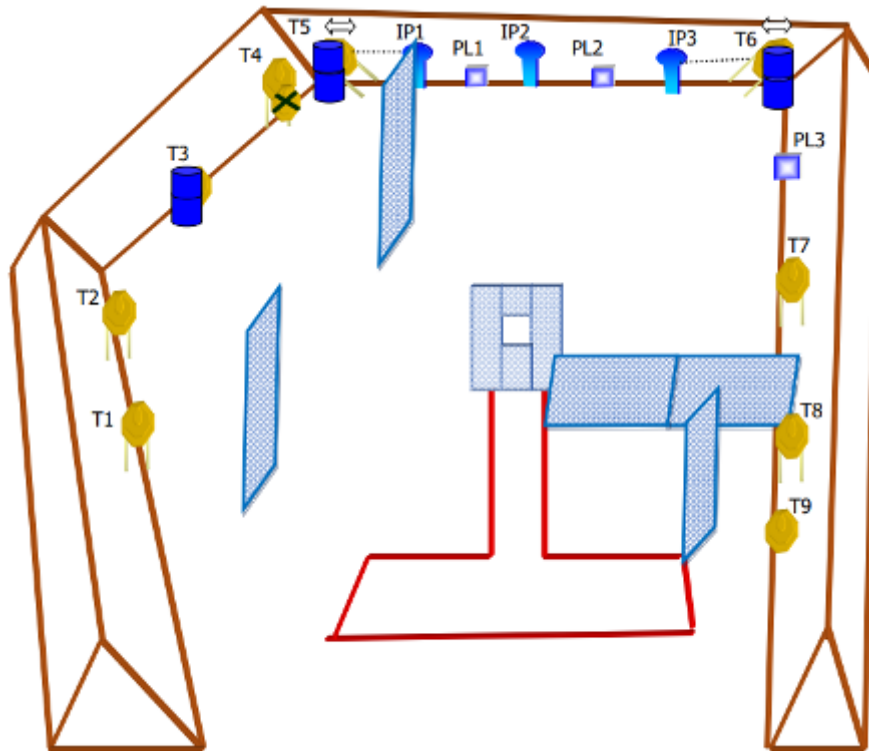
2. 2



CoF	Comstock - Short	Points	45 p
Targets	2 paper, 2 popper, 3 plates, 2 no-shoot, Total 7 targets	Min rounds	9
Firearm	Handgun	Match-%	5.92%

Procedure	
Starting position	
Firearm ready condition	Gun is unloaded laying flat on barrel A
Start on	00
Stop on	Last shot
Penalties	As per current edition of rules
Safety angles	Flag on the right
Setup notes	

3.3

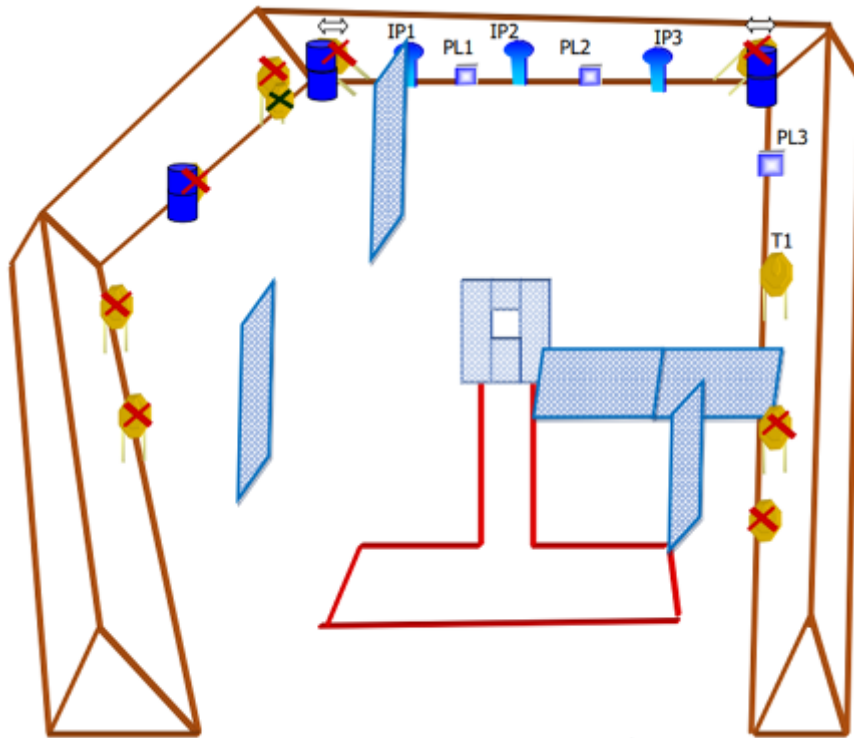


Tegnet af Dennis Kastrup Jakobsen

CoF	Comstock - Medium	Points	120 p
Targets	9 paper, 3 popper, 3 plates, 9 no-shoot, Total 15 targets	Min rounds	24
Firearm	Handgun	Match-%	15.79%

Procedure	
Starting position	
Firearm ready condition	
Start on	00
Stop on	Last shot
Penalties	As per current edition of rules
Safety angles	L/R
Setup notes	

4. 4

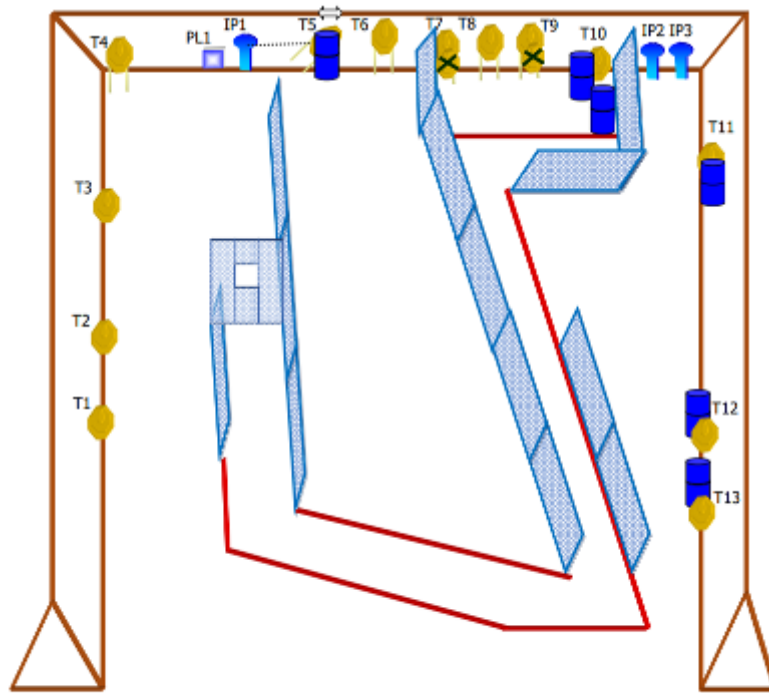


Tegnet af Dennis Kastrup Jakobsen

CoF	Comstock - Short	Points	40 p
Targets	1 paper, 3 popper, 3 plates, 1 no-shoot, Total 7 targets	Min rounds	8
Firearm	Handgun	Match-%	5.26%

Procedure	
Starting position	
Firearm ready condition	
Start on	00
Stop on	Last shot
Penalties	As per current edition of rules
Safety angles	L/R
Setup notes	

5.5

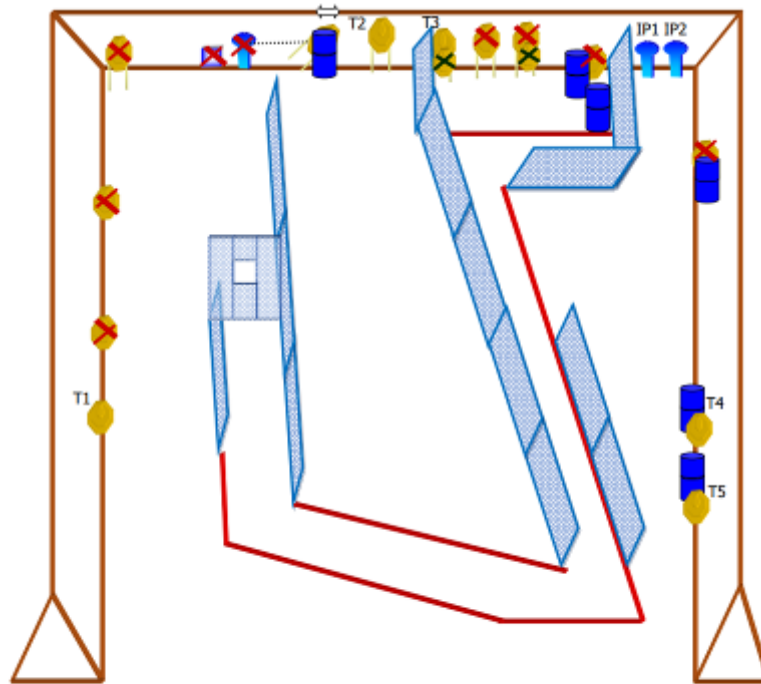


Tegnet af Dennis Kastrup Jacobsen

CoF	Comstock - Long	Points	150 p
Targets	13 paper, 3 popper, 1 plates, 13 no-shoot, Total 17 targets	Min rounds	30
Firearm	Handgun	Match-%	19.74%

Procedure	
Starting position	
Firearm ready condition	
Start on	00
Stop on	Last shot
Penalties	As per current edition of rules
Safety angles	L/R
Setup notes	

6. 6

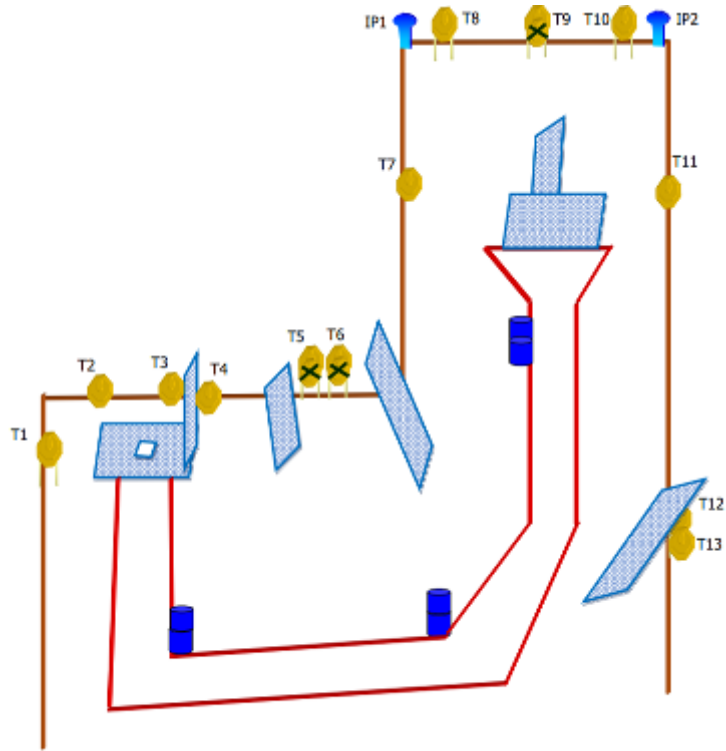


Tegnet af Dennis Kastrup Jacobsen

CoF	Comstock - Short	Points	60 p
Targets	5 paper, 2 plates, 5 no-shoot, Total 7 targets	Min rounds	12
Firearm	Handgun	Match-%	7.89%

Procedure	
Starting position	
Firearm ready condition	
Start on	00
Stop on	Last shot
Penalties	As per current edition of rules
Safety angles	L/R
Setup notes	

7.7

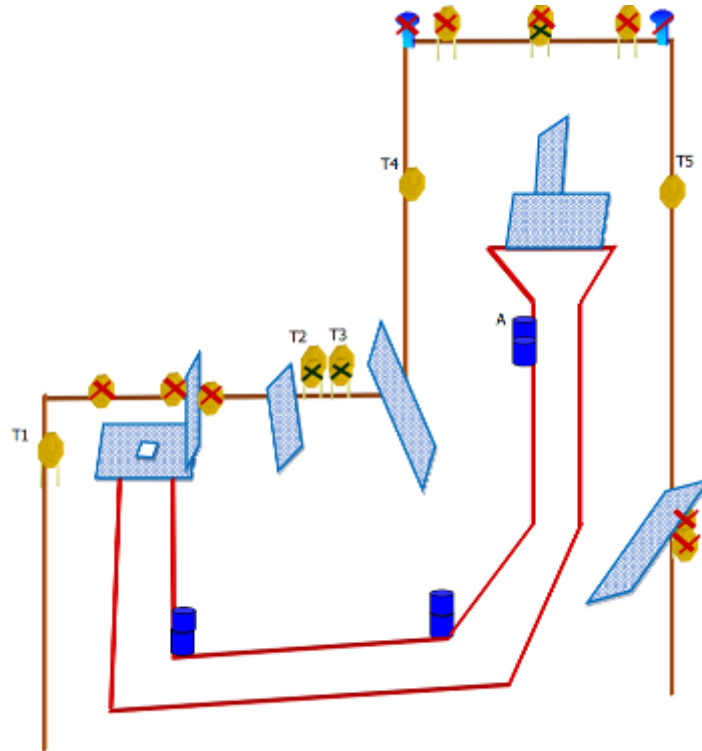


Tegnet af Dennis Kastrop Jakobsen

CoF	Comstock - Long	Points	140 p
Targets	13 paper, 2 popper, 13 no-shoot, Total 15 targets	Min rounds	28
Firearm	Handgun	Match-%	18.42%

Procedure	
Starting position	
Firearm ready condition	
Start on	00
Stop on	Last shot
Penalties	As per current edition of rules
Safety angles	L/R
Setup notes	

8. 8



Tegnet af Dennis Kastrop Jakobsen

CoF	Comstock - Short	Points	50 p
Targets	5 paper, 5 no-shoot, Total 5 targets	Min rounds	10
Firearm	Handgun	Match-%	6.58%

Procedure	
Starting position	
Firearm ready condition	Gun is unloaded with empty chamber and magwell.
Start on	00
Stop on	Last shot
Penalties	As per current edition of rules
Safety angles	L/R
Setup notes	