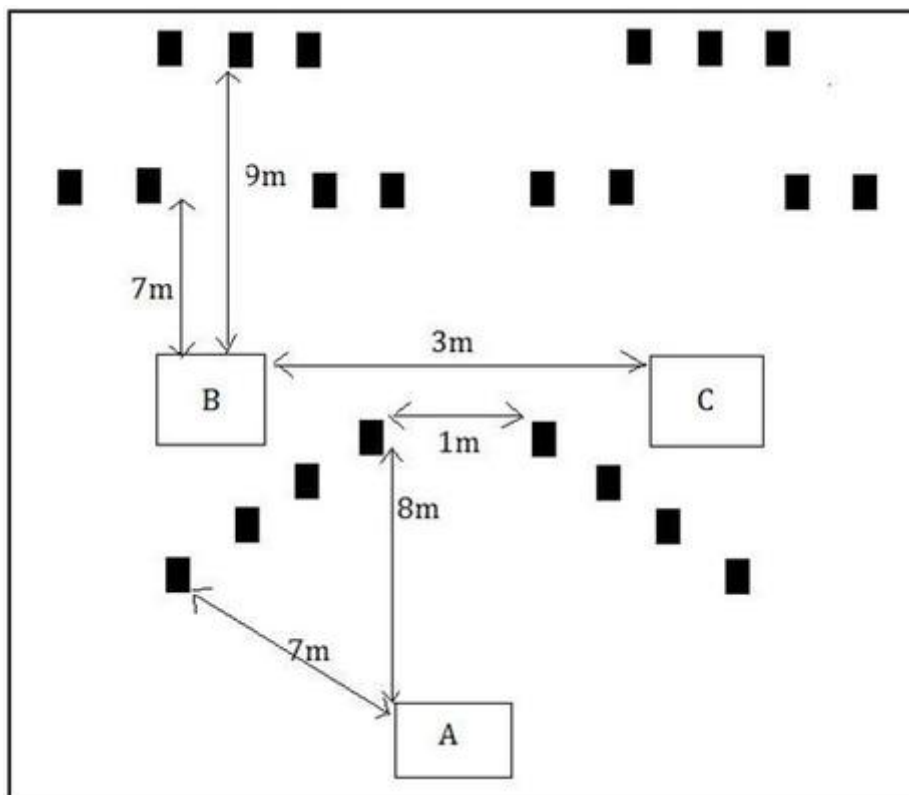


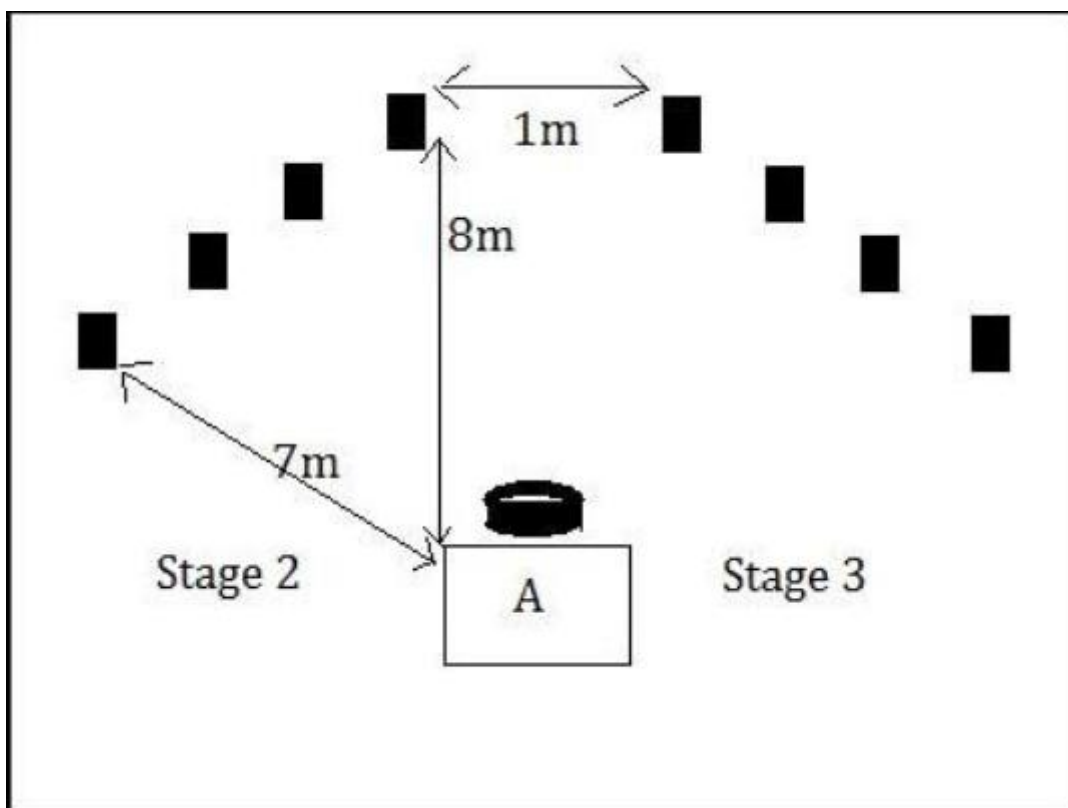
1. Stage 1



CoF	Comstock - Long	Points	110 p
Targets	22 plates, Total 22 targets	Min rounds	22
Firearm	Shotgun	Match-%	50.00%

Procedure	On the start signal, shoot targets 1- 8, freestyle, from within shooting area A. Move to shooting area B and shoot targets 9 -15. Move to shooting area C and from there shoot the remaining targets. Shooter may shoot from box C before box B.
Starting position	Standing upright at Gun loaded Option 1. Held in two hands at hip level and parallel to the ground.
Firearm ready condition	
Start on	Audible signal
Stop on	Last shot
Penalties	As per current edition of rules
Safety angles	90/90/90 or Local MAR
Setup notes	

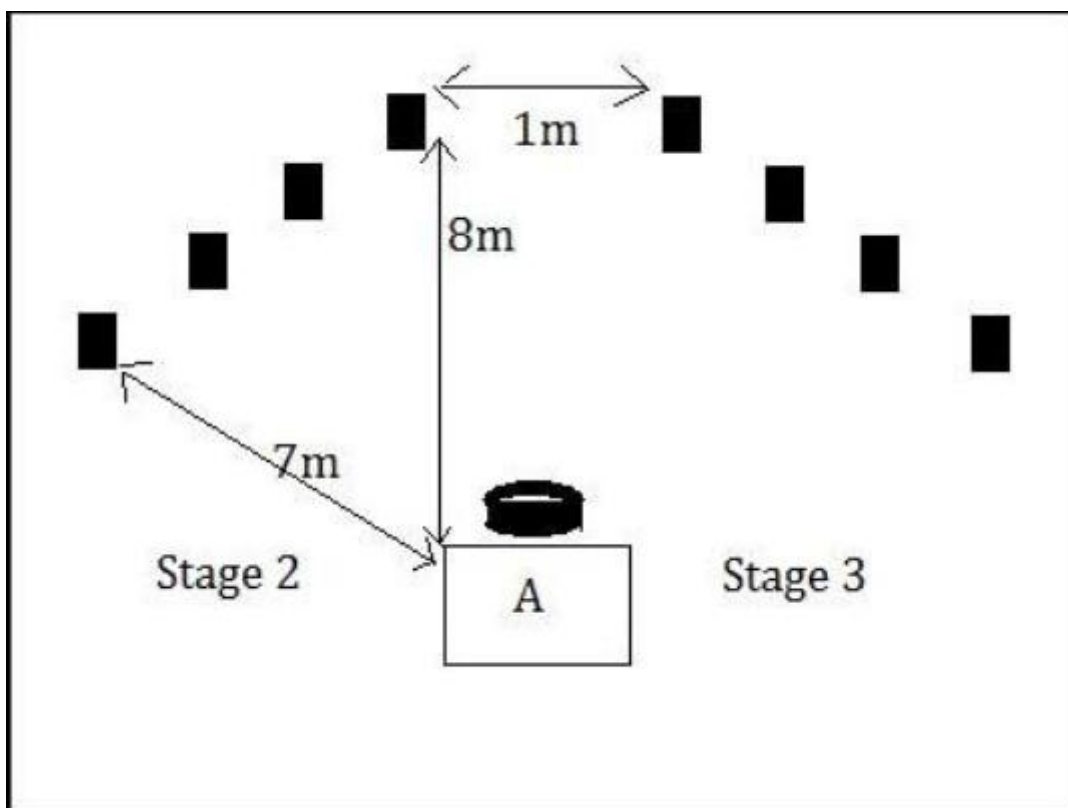
2. Stage 2



CoF	Comstock - Short	Points	20 p
Targets	4 plates, Total 4 targets	Min rounds	4
Firearm	Shotgun	Match-%	9.09%

Procedure	On the start signal, shoot targets 1 - 4, freestyle, from within the shooting area. Unloaded Gun, Option 3, placed on tyre with trigger mechanism inside inner rim. Left handed shooters may shoot opposite targets.
Starting position	Standing upright in box at A arms hanging naturally by your sides. Unloaded Gun, Option 3, placed on
Firearm ready condition	
Start on	Audible signal
Stop on	Last shot
Penalties	As per current edition of rules
Safety angles	90/90/90 or Local MAR
Setup notes	

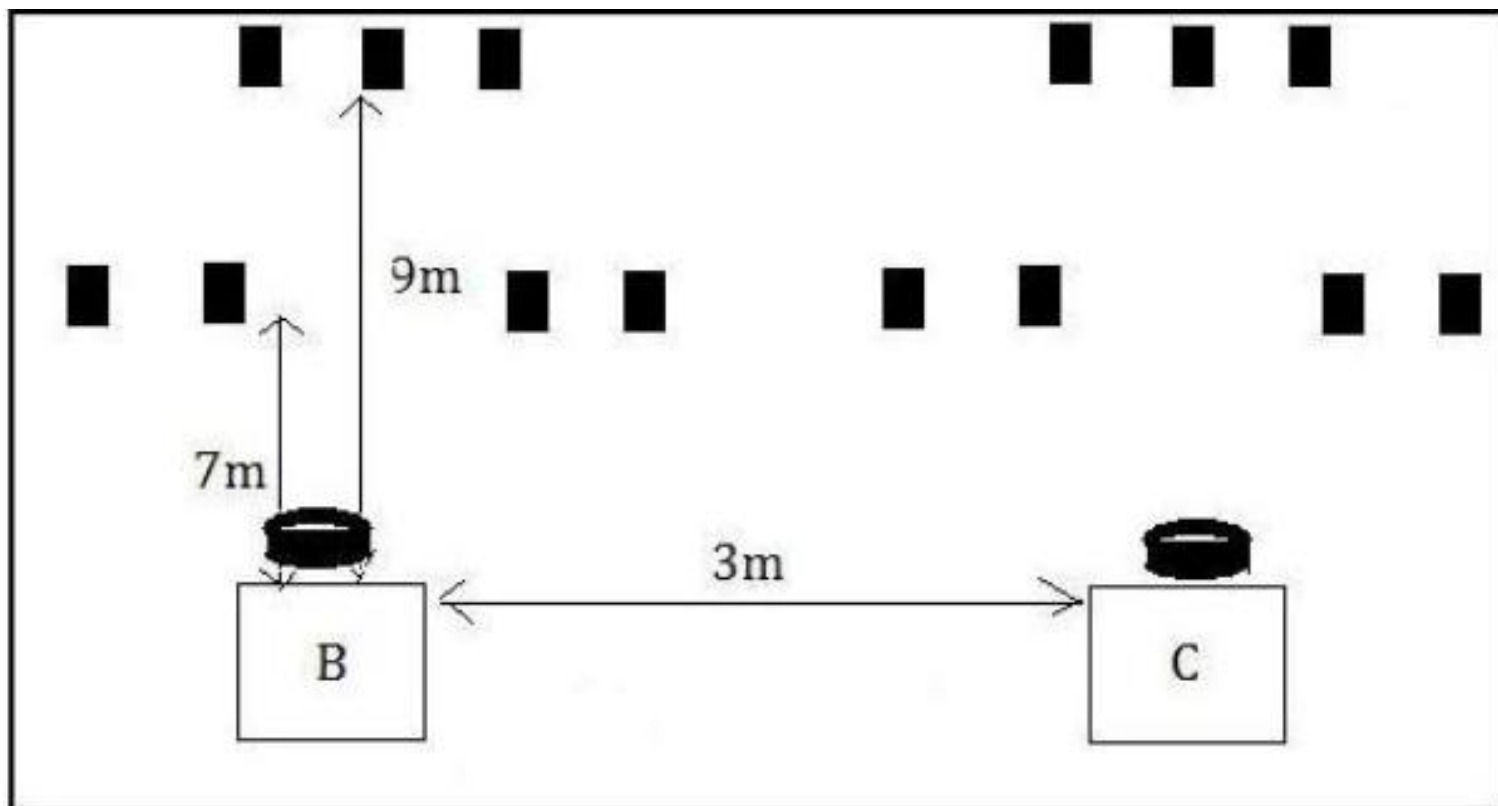
3. Stage 3



CoF	Comstock - Short	Points	20 p
Targets	4 plates, Total 4 targets	Min rounds	4
Firearm	Shotgun	Match-%	9.09%

Procedure	On start Signal, shoot targets 5 – 8, load one shoot one, from within the shooting area Gun placed on tyre with trigger mechanism inside inner rim. Left handed shooters may shoot opposite targets.
Starting position	Standing upright in box at A arms hanging naturally by your sides. Option 3
Firearm ready condition	
Start on	Audible signal
Stop on	Last shot
Penalties	As per current edition of rules
Safety angles	90/90/90 or Local MAR
Setup notes	

4. Stage 4



CoF	Comstock - Medium	Points	70 p
Targets	14 plates, Total 14 targets	Min rounds	14
Firearm	Shotgun	Match-%	31.82%

Procedure	On the start signal, shoot targets, freestyle, from within the two shooting areas. Gun, Option 2. Placed on tyre in front of other box, with trigger mechanism inside inner rim of tyre.
Starting position	Standing upright in either box with arms hanging naturally by your sides. Loaded Gun, Option 2
Firearm ready condition	
Start on	Audible signal
Stop on	Last shot
Penalties	As per current edition of rules
Safety angles	90/90/90 or Local MAR
Setup notes	