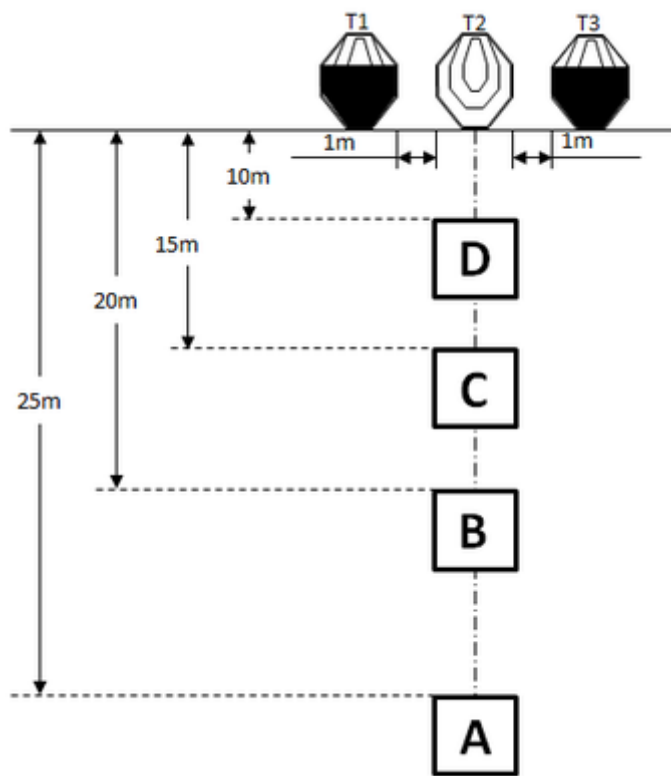


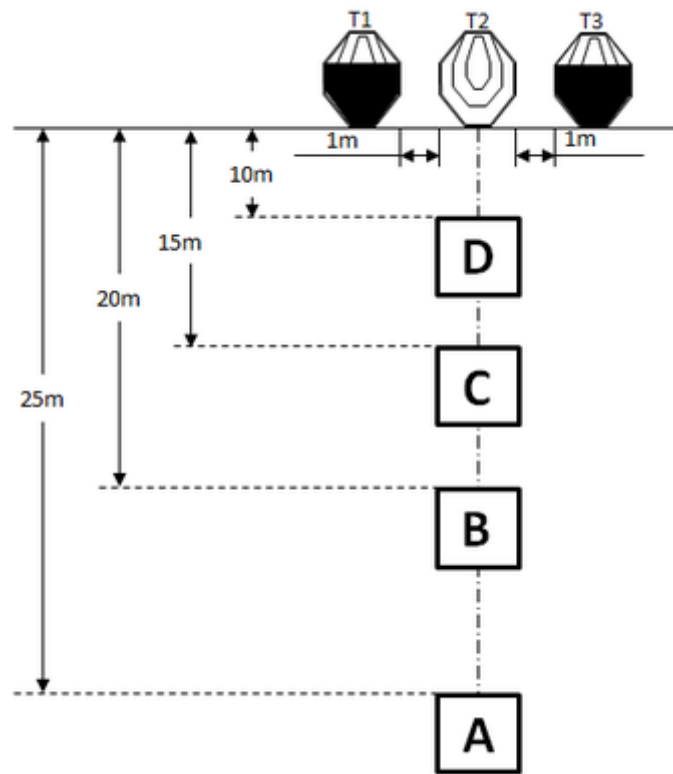
1. Augusti #1



CoF	Comstock - Long	Points	120 p
Targets	3 paper, Total 3 targets	Min rounds	24
Firearm	Rifle	Match-%	33.33%

Procedure	After the audible start signal engage targets with a minimum of two rounds each from within area "A". Then move to area "B" and engage targets with a minimum of two rounds each. Then move to area "C" and engage targets with a minimum of two rounds each. Then move to area "D" and engage targets with a minimum of two rounds each.
Starting position	Standing erect in area "A", stock touching the competitor at hip level.
Firearm ready condition	Loaded (Option 1).
Start on	Audible signal
Stop on	Last shot
Penalties	As per current edition of rules
Safety angles	L/R
Setup notes	Set IPSC Targets to 1,52m to the top of the targets. All areas are 1m by 1m.

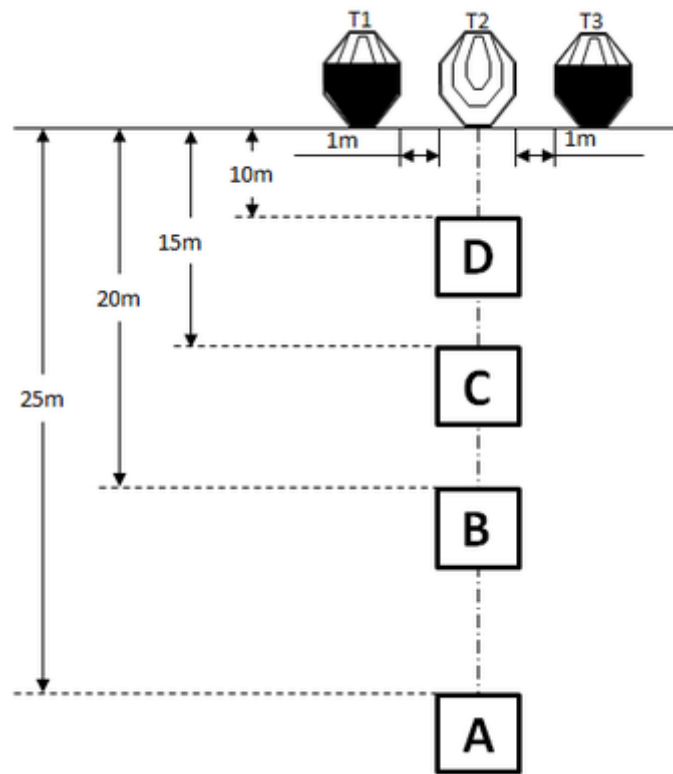
2. Augusti #2



CoF	Comstock - Long	Points	120 p
Targets	3 paper, Total 3 targets	Min rounds	24
Firearm	Rifle	Match-%	33.33%

Procedure	After the audible start signal engage targets with a minimum of two rounds each from within area "D". Then move to area "C" and engage targets with a minimum of two rounds each. Then move to area "B" and engage targets with a minimum of two rounds each. Then move to area "A" and engage targets with a minimum of two rounds each.
Starting position	Standing erect in area "D", stock touching the competitor at hip level.
Firearm ready condition	Loaded (Option 1).
Start on	Audible signal
Stop on	Last shot
Penalties	As per current edition of rules
Safety angles	L/R
Setup notes	Set IPSC Targets to 1,52m to the top of the targets. All areas are 1m by 1m.

3. Augusti #3



CoF	Comstock - Long	Points	120 p
Targets	3 paper, Total 3 targets	Min rounds	24
Firearm	Rifle	Match-%	33.33%

Procedure	After the audible start signal engage targets with a minimum of two rounds each from within area "A". Make a mandatory reload, then move to area "B" and engage targets with a minimum of two rounds each. Make a mandatory reload, then move to area "C" and engage targets with a minimum of two rounds each. Make a mandatory reload, then move to area "D" and engage targets with a minimum of two rounds each.
Starting position	Standing erect in area "A", stock touching the competitor at hip level.
Firearm ready condition	Loaded (Option 1).
Start on	Audible signal
Stop on	Last shot
Penalties	As per current edition of rules
Safety angles	L/R
Setup notes	Set IPSC Targets to 1,52m to the top of the targets. All areas are 1m by 1m.