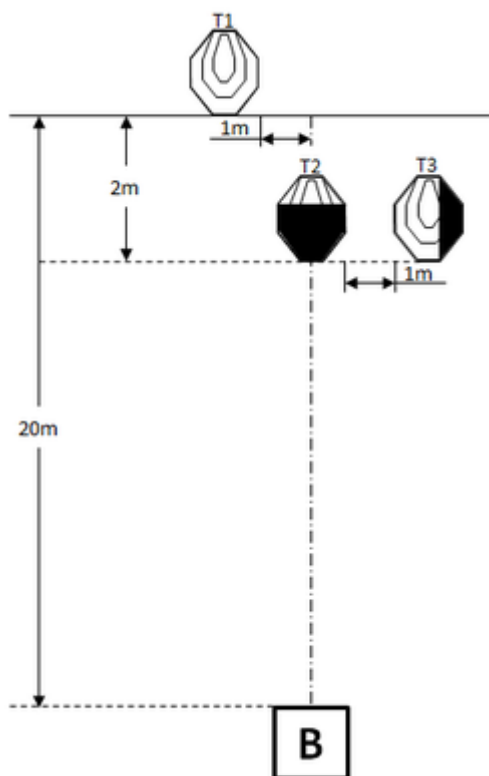




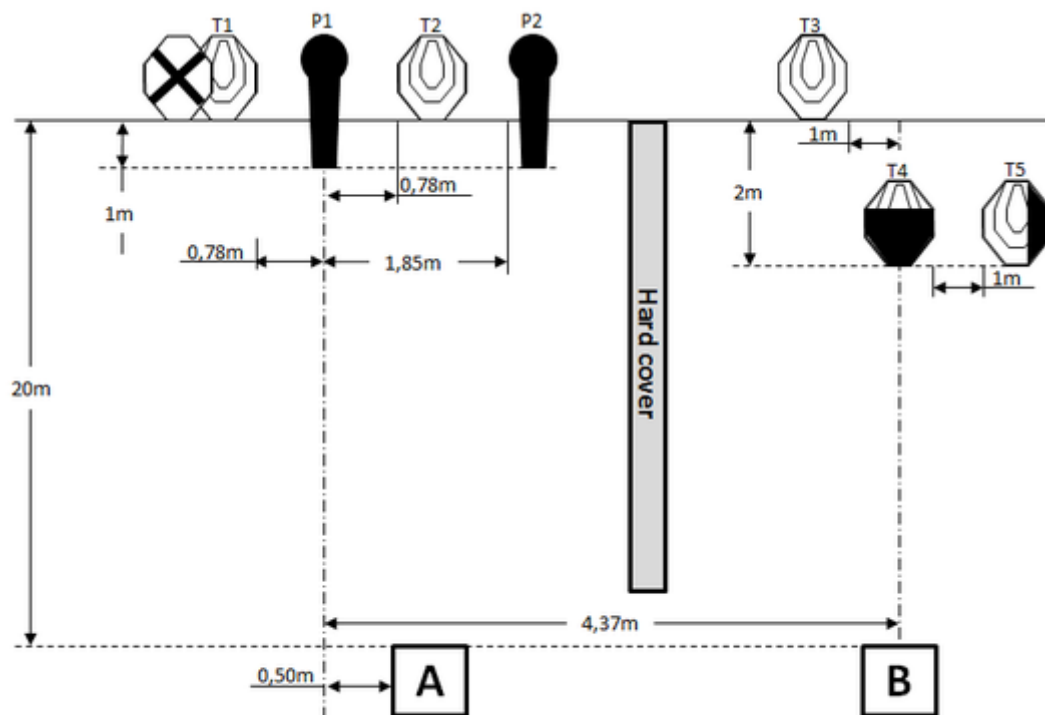
## 2. Station 2



CoF	Comstock - Short	Points	30 p
Targets	3 paper, Total 3 targets	Min rounds	6
Firearm	Rifle	Match-%	14.29%

Procedure	Rifle ready condition: Unloaded (Option 3). After the audible start signal engage.
Starting position	GStanding erect in area "B", stock touching the competitor at hip level.un loaded & holstered
Firearm ready condition	Option 3
Start on	Audible signal
Stop on	Last shot
Penalties	As per current edition of rules
Safety angles	L/R
Setup notes	

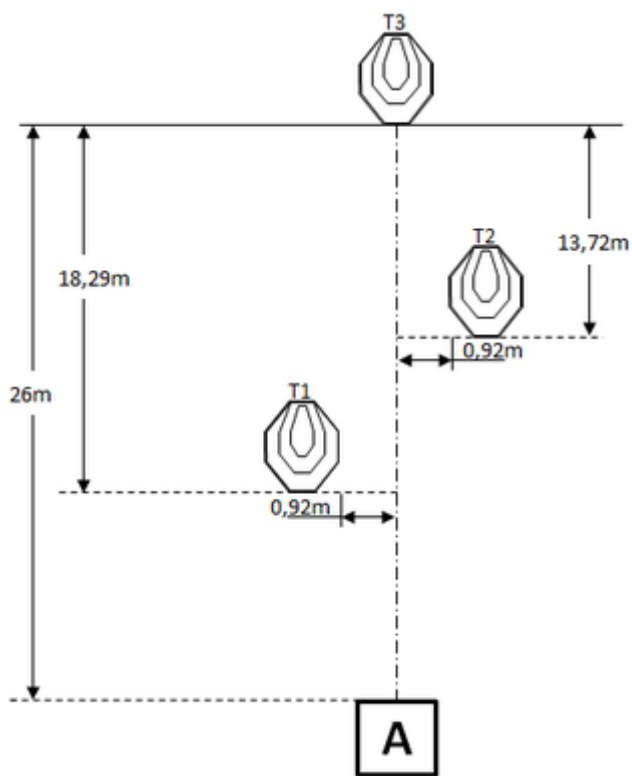
### 3. Station 3



CoF	Comstock - Medium	Points	60 p
Targets	5 paper, 2 popper, 1 no-shoot, Total 7 targets	Min rounds	12
Firearm	Rifle	Match-%	28.57%

Procedure	Rifle ready condition: Loaded (Option 1). After the audible start signal engage the first group of targets. Then move to the opposite area and engage the remaining targets.
Starting position	Standing erect in area "A" or "B", stock touching the competitor at hip level.
Firearm ready condition	Option1
Start on	Audible signal
Stop on	Last shot
Penalties	As per current edition of rules
Safety angles	L/R
Setup notes	

## 4. Station 4



CoF	Comstock - Medium	Points	90 p
Targets	3 paper, Total 3 targets	Min rounds	18
Firearm	Rifle	Match-%	42.86%

Procedure	Rifle ready condition: Loaded (Option 1). After the audible start signal engage targets with a minimum of 6 rounds each.
Starting position	Standing erect in area "A", stock touching the competitor at hip level.
Firearm ready condition	Option 1
Start on	Audible signal
Stop on	Last shot
Penalties	As per current edition of rules
Safety angles	L/R
Setup notes	