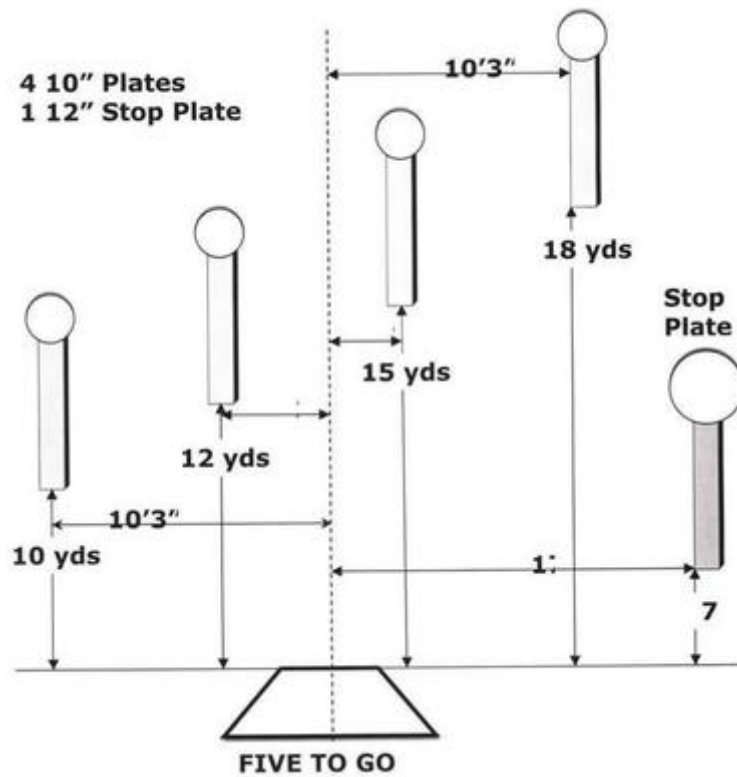


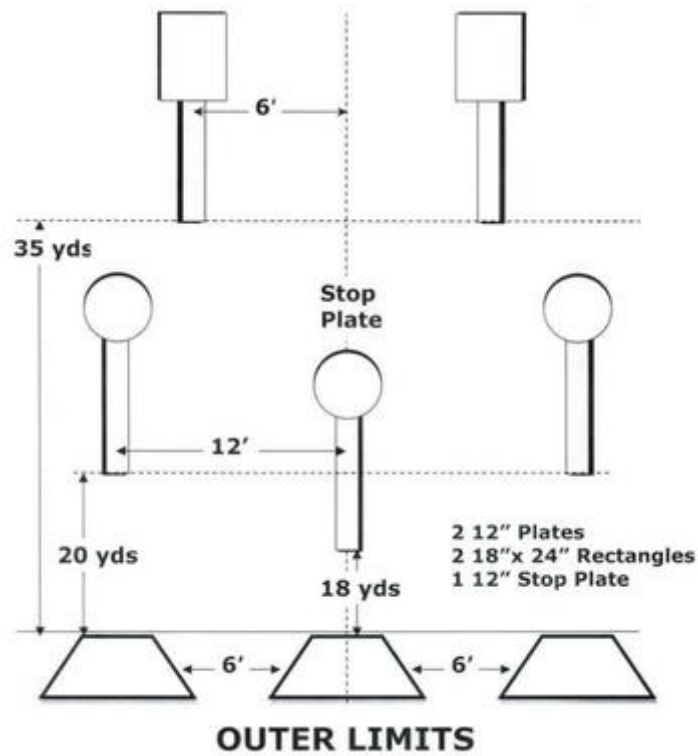
# 1. Five To Go



Scoring	sound	Strings	The best 4 of 5 will be counted
Distance	21 feet to stop plate	Min rounds	25
Correction	0 sec		-

Procedure	
Starting position	
Start on	
Stop on	
Penalties	
Safety angles	L/R
Setup notes	

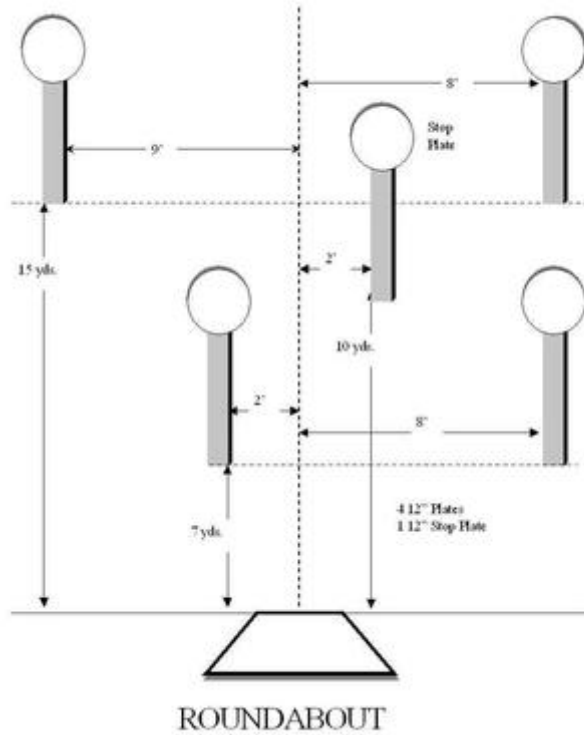
## 2. Outer Limits



Scoring	sound	Strings	The best 3 of 4 will be counted
Distance	54 feet to stop plate	Min rounds	20
Correction	0 sec		-

Procedure	
Starting position	
Start on	
Stop on	
Penalties	
Safety angles	L/R
Setup notes	

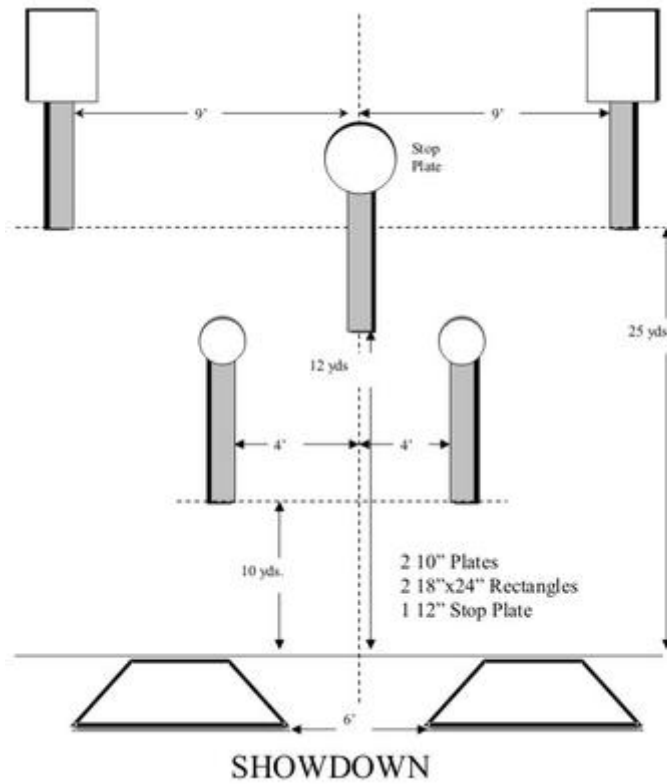
### 3. Roundabout



Scoring	sound	Strings	The best 4 of 5 will be counted
Distance	30 feet to stop plate	Min rounds	25
Correction	0 sec		-

Procedure	
Starting position	
Start on	
Stop on	
Penalties	
Safety angles	L/R
Setup notes	

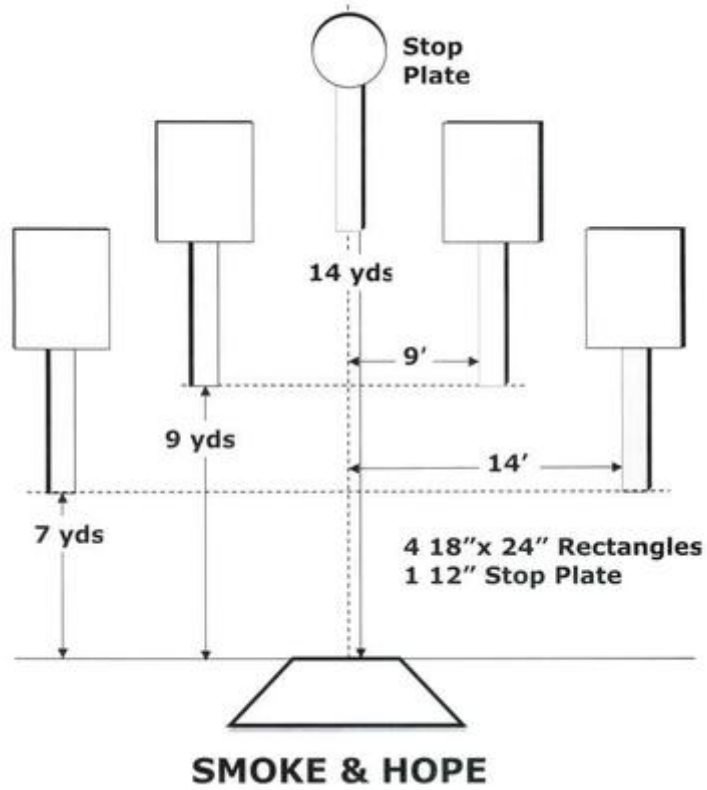
## 4. Showdown



Scoring	sound	Strings	The best 4 of 5 will be counted
Distance	36 feet to stop plate	Min rounds	25
Correction	0 sec		-

Procedure	
Starting position	
Start on	
Stop on	
Penalties	
Safety angles	L/R
Setup notes	

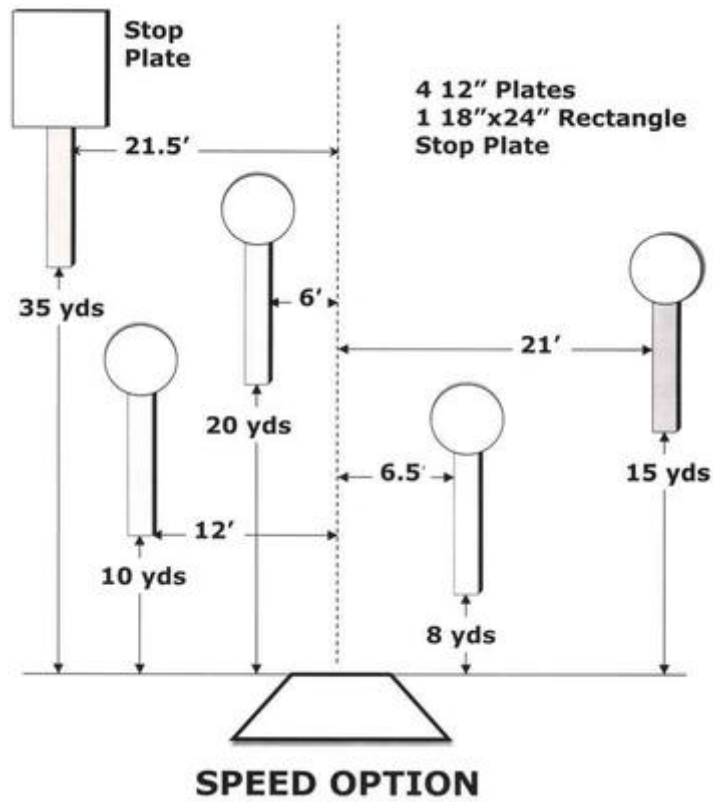
## 5. Smoke & Hope



Scoring	sound	Strings	The best 4 of 5 will be counted
Distance	42 feet to stop plate	Min rounds	25
Correction	0 sec		-

Procedure	
Starting position	
Start on	
Stop on	
Penalties	
Safety angles	L/R
Setup notes	

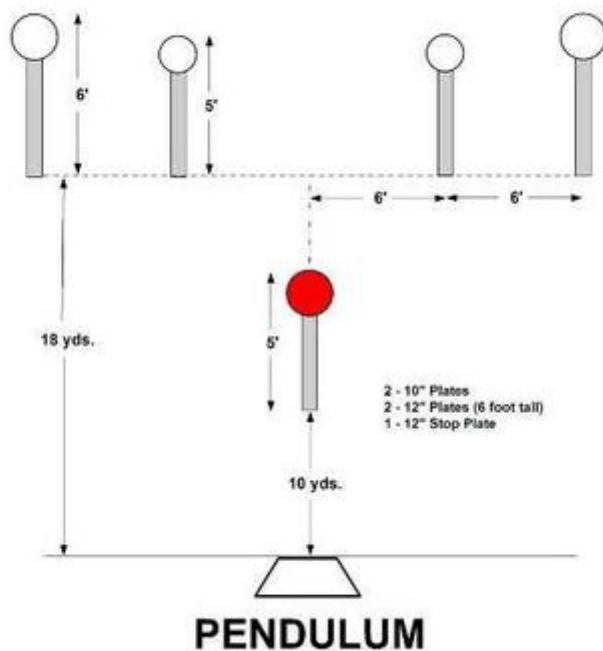
## 6. Speed Option



Scoring	sound	Strings	The best 4 of 5 will be counted
Distance	105 feet to stop plate	Min rounds	25
Correction	0 sec		-

Procedure	
Starting position	
Start on	
Stop on	
Penalties	
Safety angles	L/R
Setup notes	

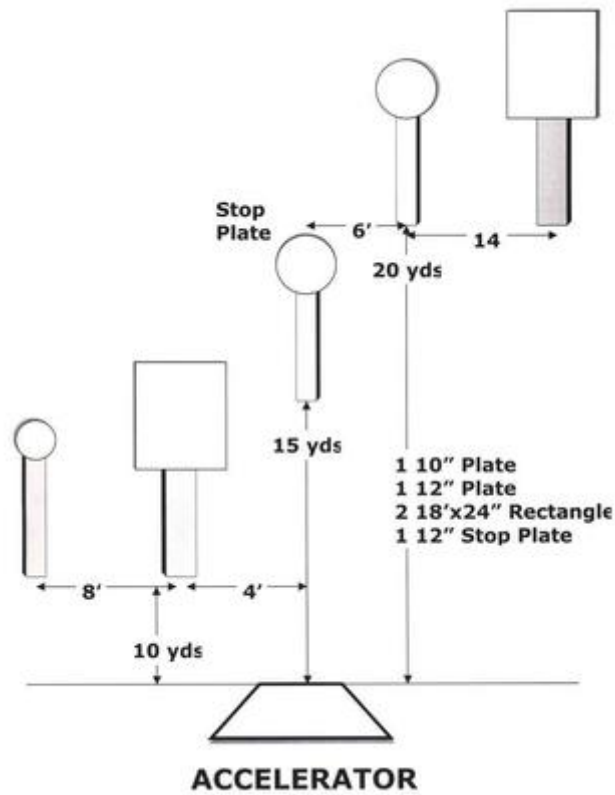
# 7. Pendulum



Scoring	sound	Strings	The best 4 of 5 will be counted
Distance	30 feet to stop plate	Min rounds	25
Correction	0 sec		-

Procedure	
Starting position	
Start on	
Stop on	
Penalties	
Safety angles	L/R
Setup notes	

## 8. Accelerator



Scoring	sound	Strings	The best 4 of 5 will be counted
Distance	45 feet to stop plate	Min rounds	25
Correction	0 sec		-

Procedure	
Starting position	
Start on	
Stop on	
Penalties	
Safety angles	L/R
Setup notes	