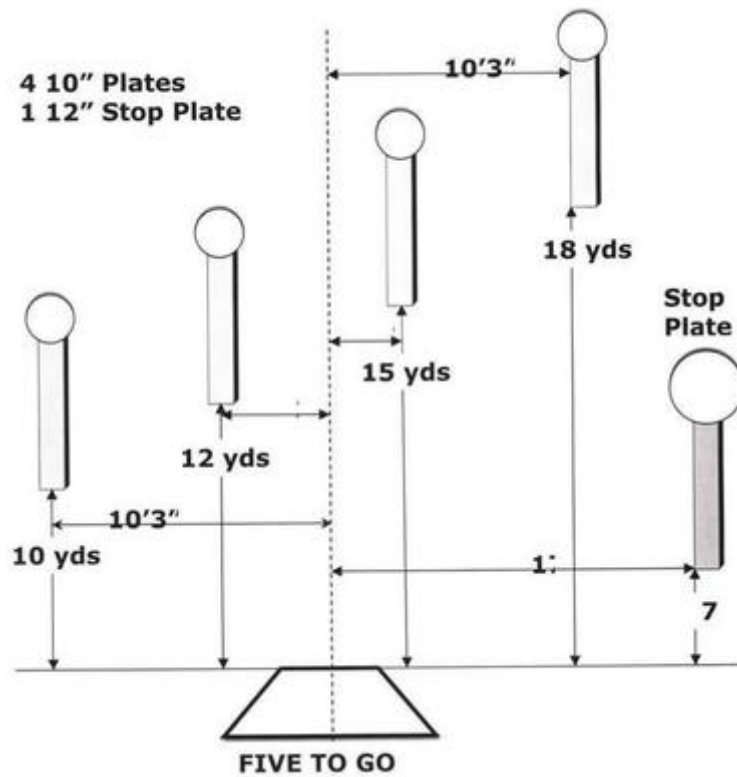


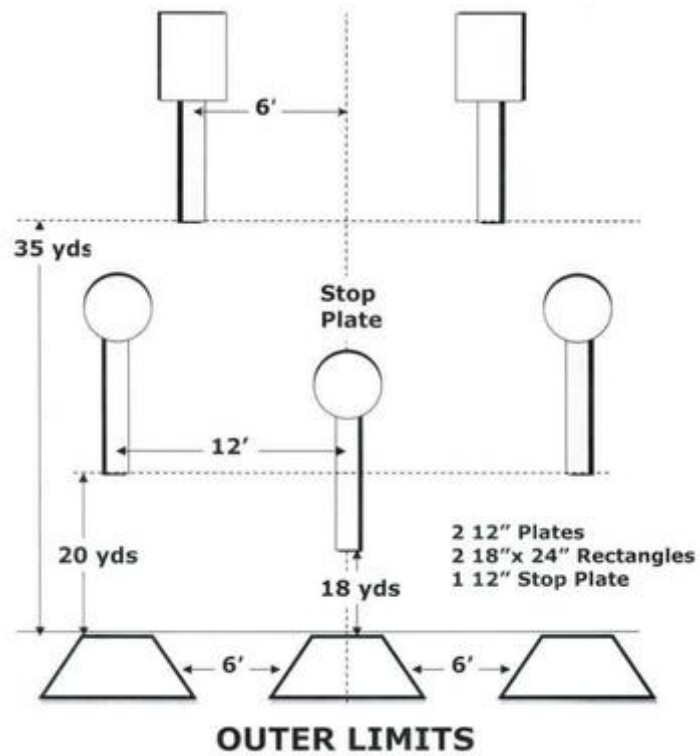
1. Five To Go



| | | | |
|------------|-----------------------|------------|---------------------------------|
| Scoring | sound | Strings | The best 4 of 5 will be counted |
| Distance | 21 feet to stop plate | Min rounds | 25 |
| Correction | 0 sec | | - |

| | |
|-------------------|-----|
| Procedure | |
| Starting position | |
| Start on | |
| Stop on | |
| Penalties | |
| Safety angles | L/R |
| Setup notes | |

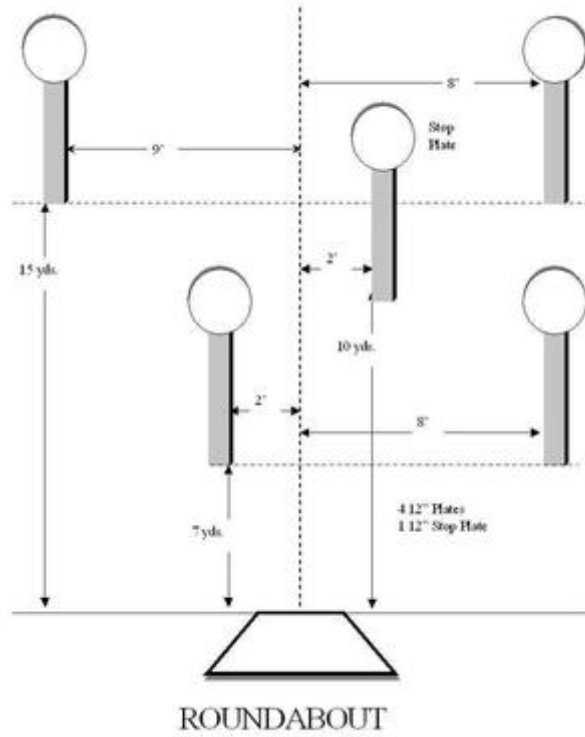
2. Outer Limits



| | | | |
|------------|-----------------------|------------|---------------------------------|
| Scoring | sound | Strings | The best 3 of 4 will be counted |
| Distance | 54 feet to stop plate | Min rounds | 20 |
| Correction | 0 sec | | - |

| | |
|-------------------|-----|
| Procedure | |
| Starting position | |
| Start on | |
| Stop on | |
| Penalties | |
| Safety angles | L/R |
| Setup notes | |

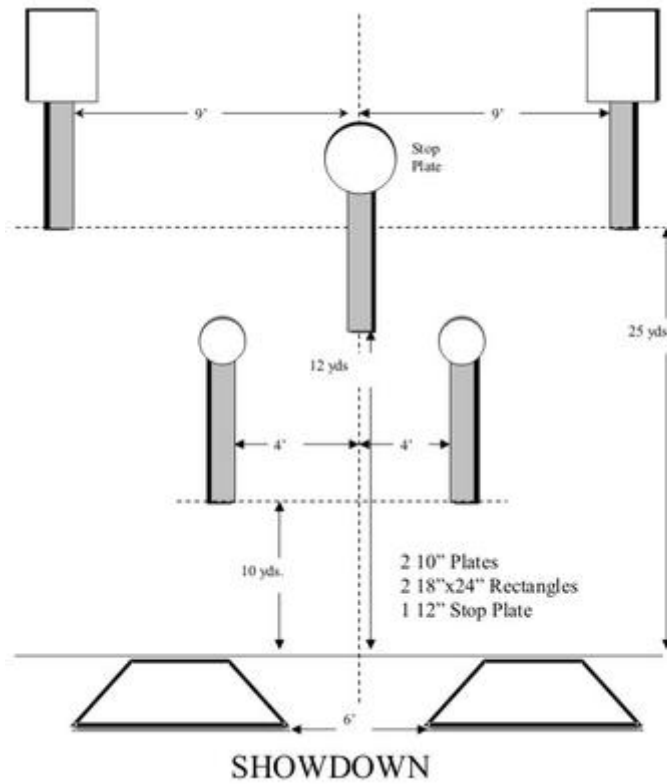
3. Roundabout



| | | | |
|------------|-----------------------|------------|---------------------------------|
| Scoring | sound | Strings | The best 4 of 5 will be counted |
| Distance | 30 feet to stop plate | Min rounds | 25 |
| Correction | 0 sec | | - |

| | |
|-------------------|-----|
| Procedure | |
| Starting position | |
| Start on | |
| Stop on | |
| Penalties | |
| Safety angles | L/R |
| Setup notes | |

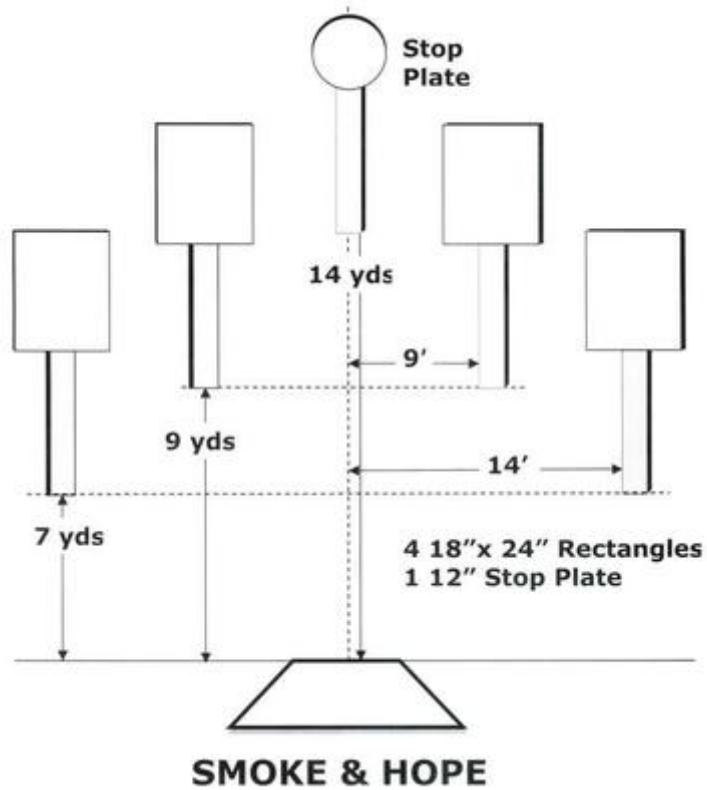
4. Showdown



| | | | |
|------------|-----------------------|------------|---------------------------------|
| Scoring | sound | Strings | The best 4 of 5 will be counted |
| Distance | 36 feet to stop plate | Min rounds | 25 |
| Correction | 0 sec | | - |

| | |
|-------------------|-----|
| Procedure | |
| Starting position | |
| Start on | |
| Stop on | |
| Penalties | |
| Safety angles | L/R |
| Setup notes | |

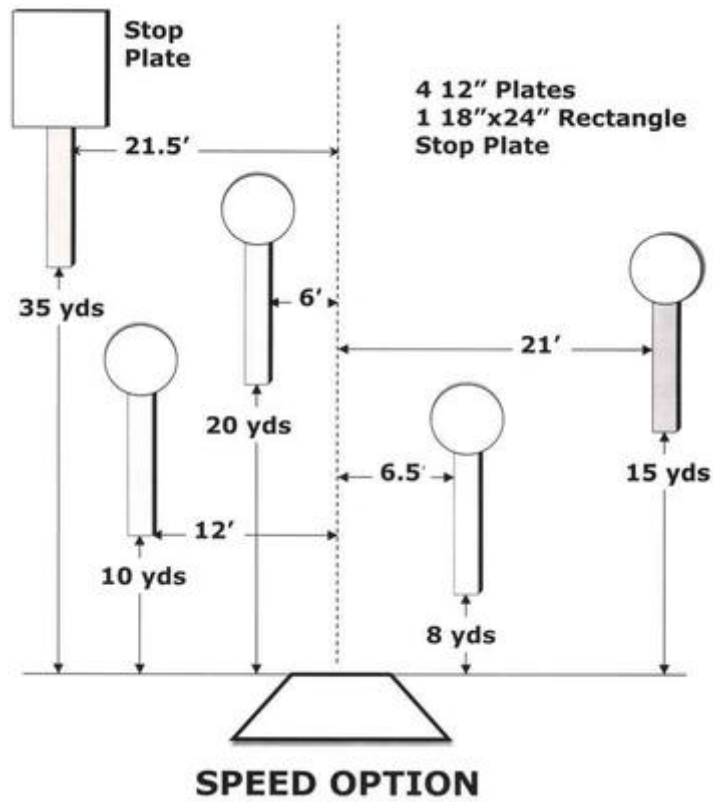
5. Smoke & Hope



| | | | |
|------------|-----------------------|------------|---------------------------------|
| Scoring | sound | Strings | The best 4 of 5 will be counted |
| Distance | 42 feet to stop plate | Min rounds | 25 |
| Correction | 0 sec | | - |

| | |
|-------------------|-----|
| Procedure | |
| Starting position | |
| Start on | |
| Stop on | |
| Penalties | |
| Safety angles | L/R |
| Setup notes | |

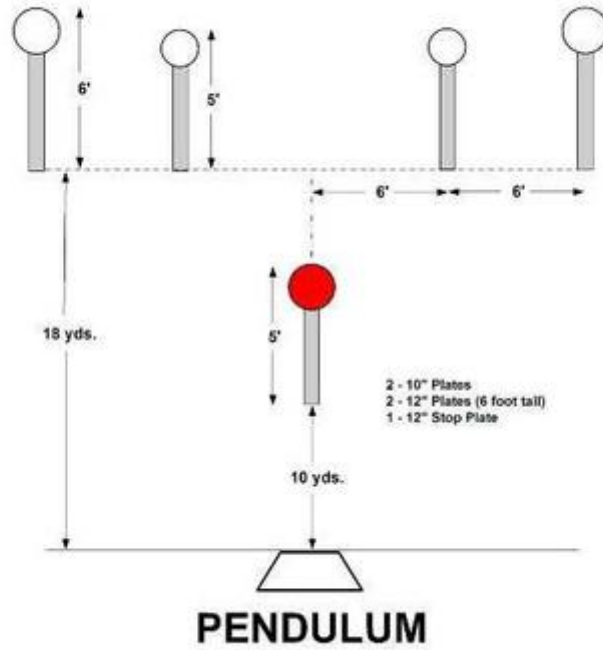
6. Speed Option



| | | | |
|------------|------------------------|------------|---------------------------------|
| Scoring | sound | Strings | The best 4 of 5 will be counted |
| Distance | 105 feet to stop plate | Min rounds | 25 |
| Correction | 0 sec | | - |

| | |
|-------------------|-----|
| Procedure | |
| Starting position | |
| Start on | |
| Stop on | |
| Penalties | |
| Safety angles | L/R |
| Setup notes | |

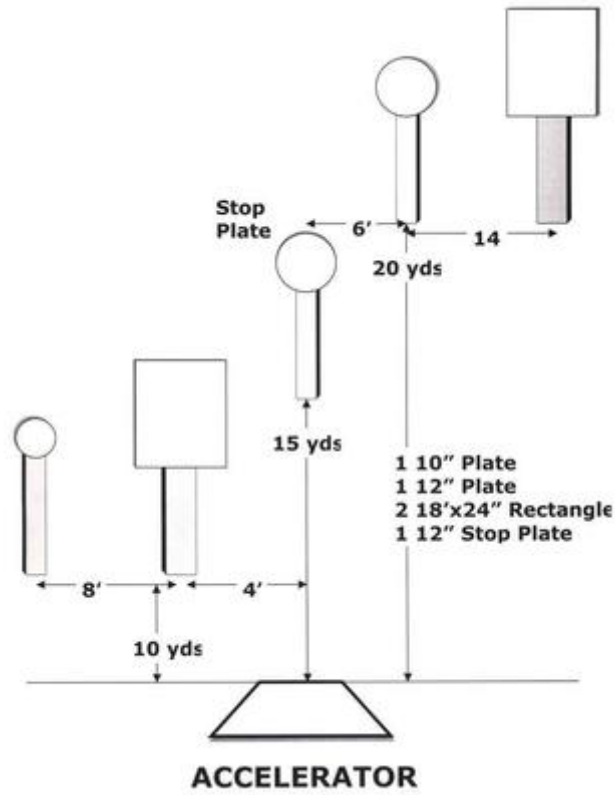
7. Pendulum



| | | | |
|------------|-----------------------|------------|---------------------------------|
| Scoring | sound | Strings | The best 4 of 5 will be counted |
| Distance | 30 feet to stop plate | Min rounds | 25 |
| Correction | 0 sec | | - |

| | |
|-------------------|-----|
| Procedure | |
| Starting position | |
| Start on | |
| Stop on | |
| Penalties | |
| Safety angles | L/R |
| Setup notes | |

8. Accelerator



- 1 10" Plate
- 1 12" Plate
- 2 18'x24" Rectangle
- 1 12" Stop Plate

| | | | |
|------------|-----------------------|------------|---------------------------------|
| Scoring | sound | Strings | The best 4 of 5 will be counted |
| Distance | 45 feet to stop plate | Min rounds | 25 |
| Correction | 0 sec | | - |

| | |
|-------------------|-----|
| Procedure | |
| Starting position | |
| Start on | |
| Stop on | |
| Penalties | |
| Safety angles | L/R |
| Setup notes | |